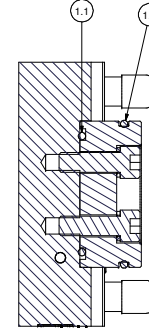
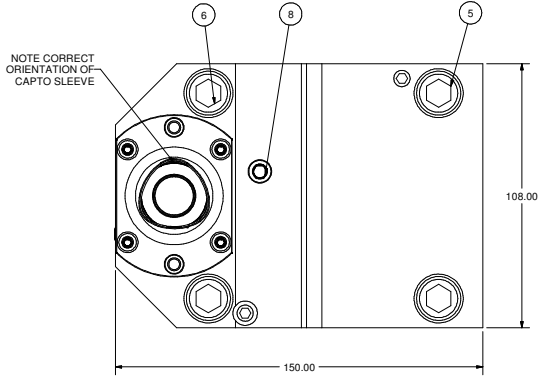
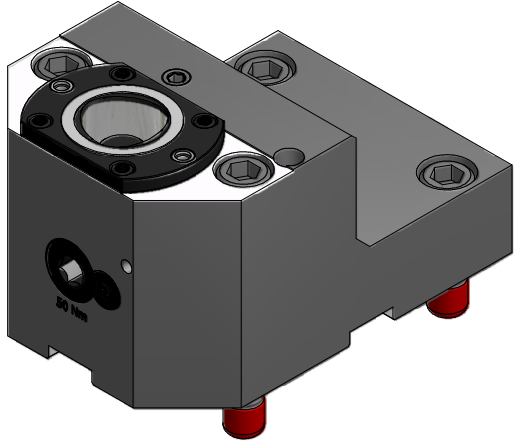
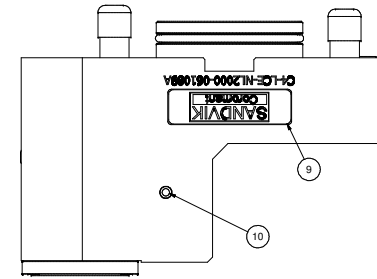
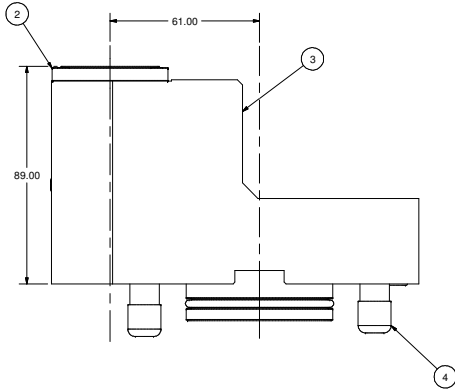


THIS DRAWING IS THE PROPERTY OF PARTEC INC. AND IS SUBJECT TO BEING RETURNED UPON REQUEST. IT SHALL NOT BE REPRODUCED IN WHOLE OR PART WITHOUT WRITTEN PERMISSION OF PARTEC INC. ANY VIOLATION IS PROHIBITED UNDER THE ENFORCEABLE TERMS OF THE LICENSE AGREEMENT.



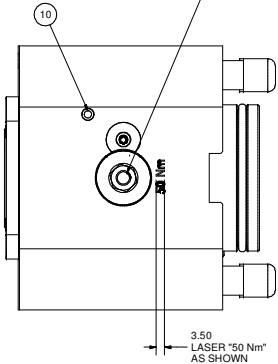
SECTION B-B
SCALE 1 : 1



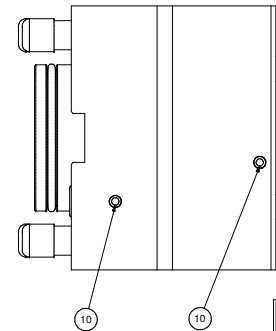
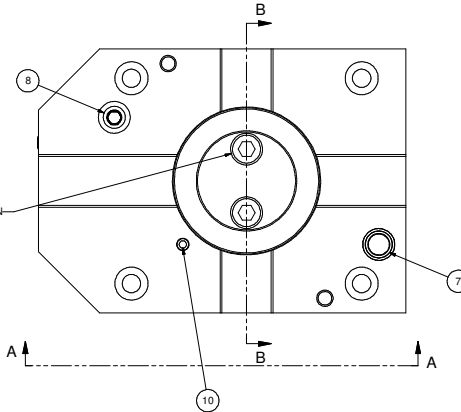
VIEW A-A
SCALE 1 : 1

NOTES:
1. USE KOENIG SETTING TOOL MB-050 FOR INSTALLING PLUGS, ITEM 9.

LUBRICATE AT ASSEMBLY WITH BP ENERGREASE ACS-2 OR EQUIVALENT REMOVE SET SCREW AND USE GREASE NIPPLE SANDVIK #5692-012-01 WHEN LUBRICATING REPLACE SET SCREW



CLEAN WITH LOCTITE 7070 APPLY LOCTITE 262 PER MANUFACTURER SPECIFICATION (FIRST 3 THREADS MIN.) TORQUE TO 39 Nm (2X)



REVISION RECORD			
REV	DESCRIPTION	BY	DATE
A	RELEASED	MH	11/04
B	ECR #7965	BAM	3/05
C	ECR #8046	BAM	5/05
D	ECR #8141	BAM	7/05
E	ECR #8161	MW	3/05
F	ECR #8279	ON	6/06

Parts List			
ITEM	QTY	PART NUMBER	DESCRIPTION
1.1	1	202-788-4470	O-RING 44.5 x 3
1.2	2	SHCSM8X25	CAP SCREW, M8 x 25
1.3	1	202-731-4470	O-RING 54.5 x 3
1.4	2	014-112	M8 LOCK WASHER
2	1	C4-CU-CS-11	CAPTO C4 CLAMPING UNIT, STATIC
3	1	T00187-C4-1	BODY, OD CUTTING HOLDER - CAPTO C4 R/L
4	4	FCWA-0111-019	M12 THREAD CAP
5	2	SHCSM12X40	CAP SCREW, M12 x 40
6	2	SHCSM12X90	CAP SCREW, M12 x 90
7	1	204-009-4470	O-RING, 9 x 2
8	2	SSPLG0125BSPT	1/8" BSPT PIPE PLUG
9	1	LB-SANDVIK	SANDVIK LABEL
10	5	MB 600-050	KOENIG EXPANDER SEALING PLUG
11	2	SSDPM8X16	SET SCREW, DOG POINT, M8 x 16

	PART NAME	CAPTO C4 O.D. TURNING, NL 2000, LH
	MATERIAL	SEE BOM
	FINISH	N/A
	DATE	11/20/04
	DESIGNED BY	malloy
	CHECKED BY	mf
	SCALE	NONE
	REV	
	WORLD HEADQUARTERS	
	200 PERSHOTT PARKWAY	
	FAIRPORT, NEW YORK 14450	
	TEL: 716.326.4000	
	FAX: 716.326.4001	
	WWW.PARTEC.COM	
	EMAIL: SALES@PARTEC.COM	

PART NUMBER **C4-LCE-NL2000-061089A** F