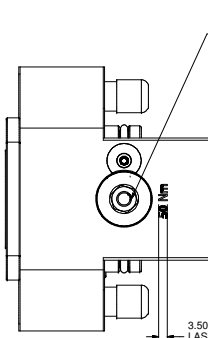
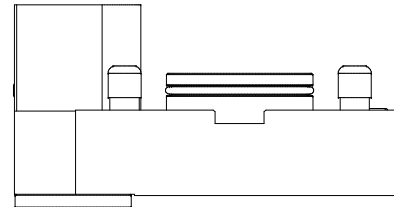
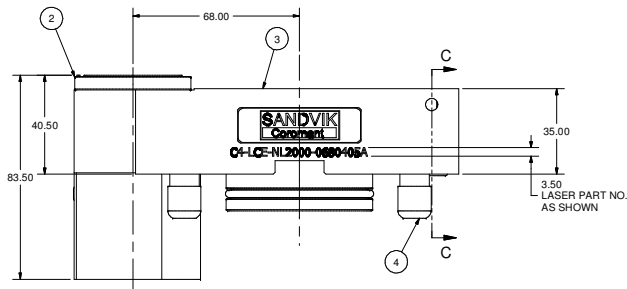
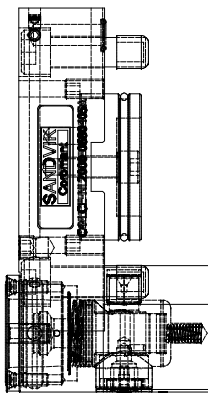
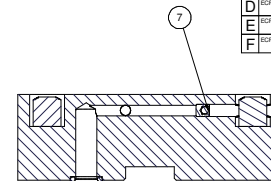
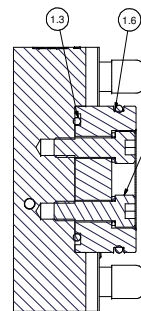
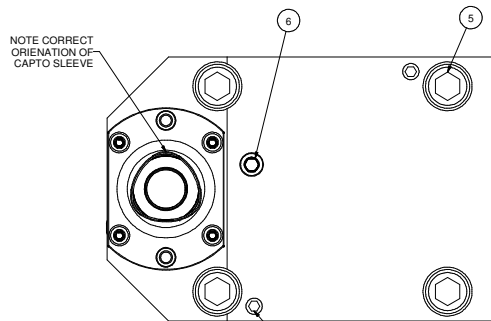
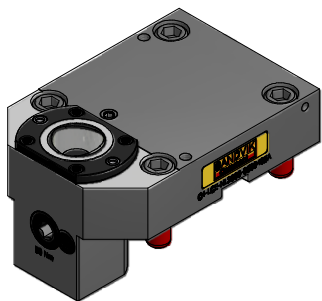
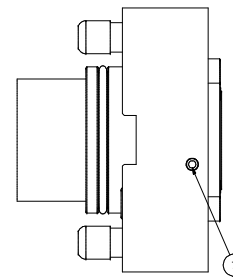
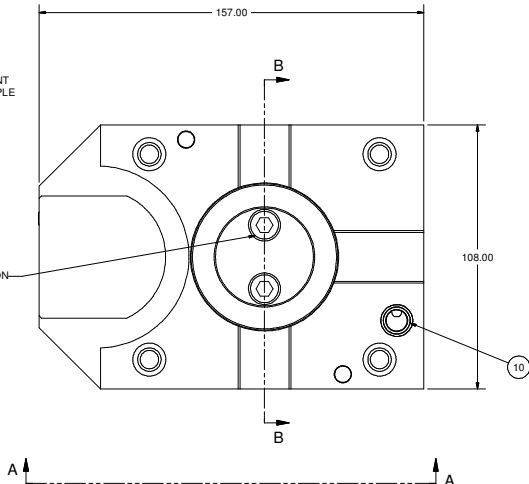


THIS DRAWING IS THE SOLE PROPERTY OF PARLEG, INC. AND IS SUBJECT TO BEING RETURNED UPON REQUEST. IT SHALL NOT BE REPRODUCED IN WHOLE OR PART WITHOUT THE WRITTEN PERMISSION OF PARLEG, INC. ANY VIOLATION IS PROHIBITED UNDER PENALTY OF LAW.



CLEAN WITH LOCITITE 7070 APPLY LOCITITE 262 PER MANUFACTURER SPECIFICATION (FIRST 3 THREADS MIN.) TORQUE TO 39 Nm (2X)



Parts List			
ITEM	QTY	PART NUMBER	DESCRIPTION
1.3	1	202-789-4470	O-RING 44.5 x 3
1.5	2	SHCSM8X25	CAP SCREW, M8 x 25
1.6	1	202-731-4470	O-RING 54.5 x 3
1.7	2	014-112	M8 LOCK WASHER
2	1	C4-CU-CS-11	CAPTO C4 CLAMPING UNIT, STATIC
3	1	T00187-C4R-1	BODY, OD CUTTING HOLDER - CAPTO C4 R
4	4	FCWA-0111-019	M12 THREAD CAP
5	4	SHCSM12X40	CAP SCREW, M12 x 40
6	1	SSPLG0125BSPT	1/8" BSPT PIPE PLUG
7	2	MB 600-050	KOENIG EXPANDER SEALING PLUG
8	1	LB-SANDVIK	SANDVIK LABEL
9	2	SSM8X16	SET SCREW, FLAT POINT, M8 x 16
10	1	204-009-4470	O-RING, 9 x 2

	PART NAME CAPTO C4 O.D. TURNING MAX. NL 2000 LH	SCALE NONE
	MATERIAL SEE BOM	DATE 11/20/04
PART NUMBER C4-LCE-NL2000-0680405A	DRAWN BY mathy	CHECKED BY []

NOTES:
1. USE KOENIG SETTING TOOL MB-050 FRO INSTALLING PLUGS, ITEM 10.