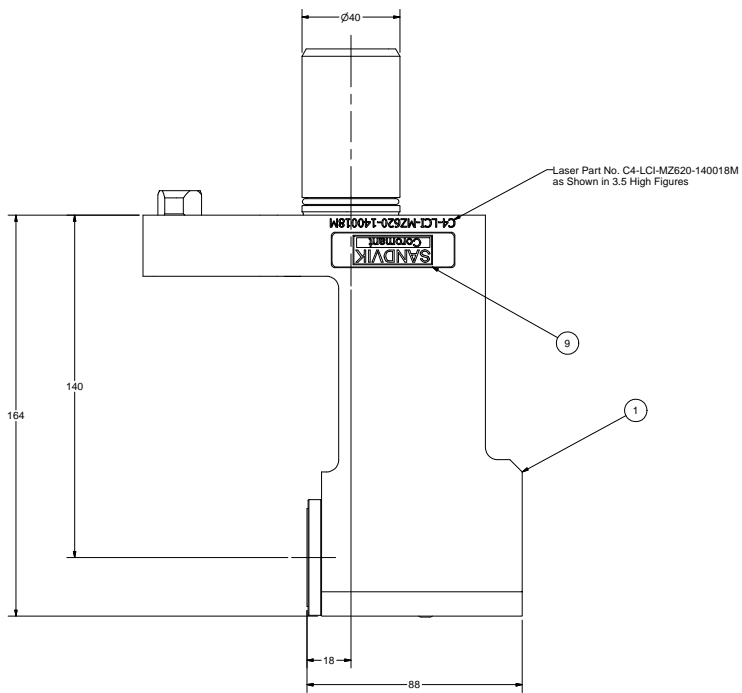
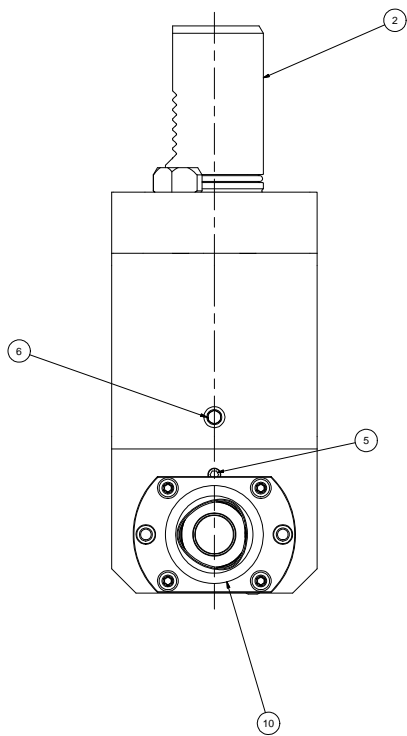
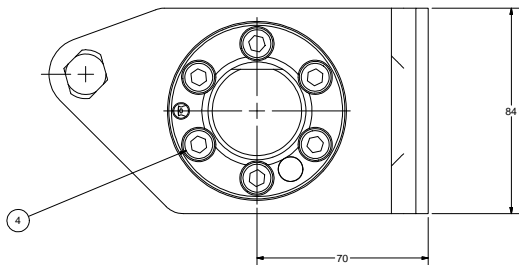
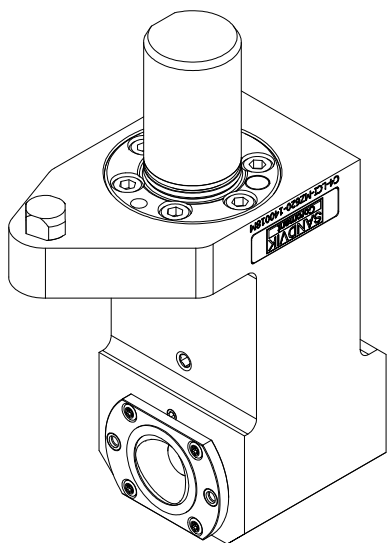
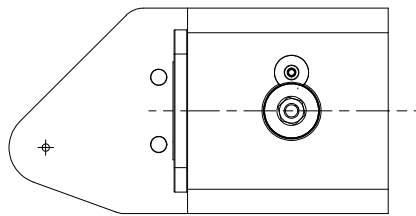
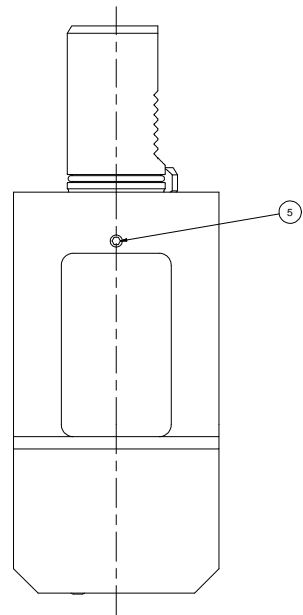


FIGS SHOWN IN THIS DOCUMENT CONTAIN PROPRIETARY INFORMATION OF PARLEGG, INC. AND IS SUBJECT TO BEING RETURNED UPON REQUEST. IT SHALL NOT BE REPRODUCED IN WHOLE OR PART WITHOUT THE WRITTEN PERMISSION OF PARLEGG, INC. ANY UNAUTHORIZED REPRODUCTION MUST BEAR THE DATE 12/20/2006.



Parts List			
ITEM	QTY	PART NUMBER	DESCRIPTION
1	1	C4-LCI-MZ620-140018M	C4 Internal Reverse Tool Holder
2	1	217-14952-001	MP620 Static Shank
4	6	SHCSM8X16	CAP SCREW M8 X 16 LG
5	3	SSM6X6	SET SCREW M6 x 6
6	1	SSPLG0125BSPT	1/8" BSPT PIPE PLUG
8	1	202-652-4470	O-RING 54.5 x 3
9	1	LB-SANDVIK	SANDVIK LABEL
10	1	C4-CU-CS-11	CAPTO C4 CLAMPING UNIT, STATIC
11	1	196.13636.004	LOCATION PIN
12	1	DWLM10X24	DOWEL PIN, M10 X 24LG



		PARLEGG C4 Internal LH Reverse Tool Holder	
SPECIAL APPLICATIONS WORLD HEADQUARTERS 100 PERSIMMON PARKWAY FAIRPORT, NEW YORK 14450	DATE: 12/20/2006 SCALE: NONE DRAWN BY: [blank] CHECKED BY: [blank]	PART NUMBER C4-LCI-MZ620-140018M	REV 1