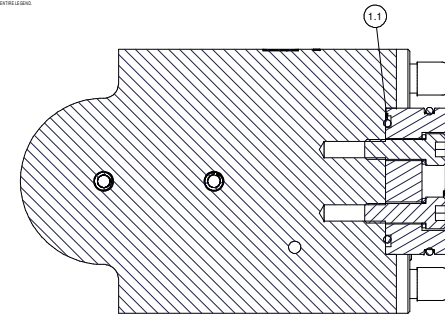
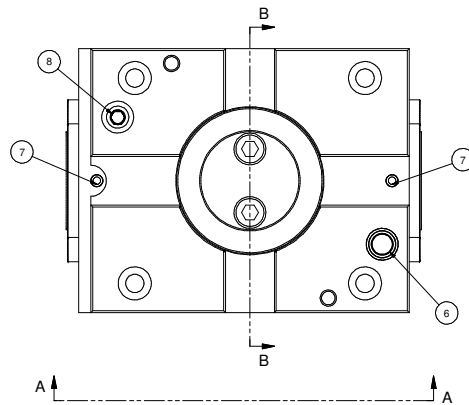
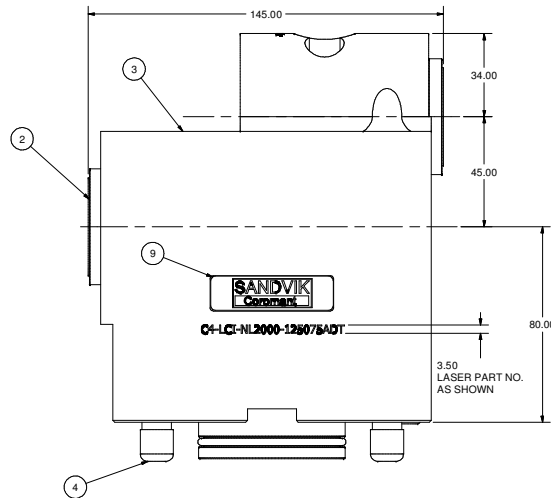
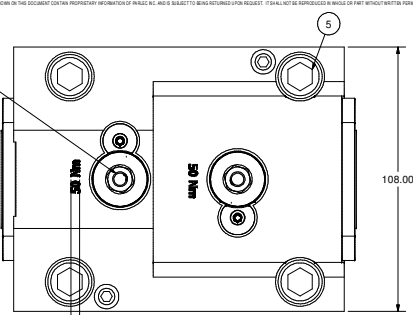


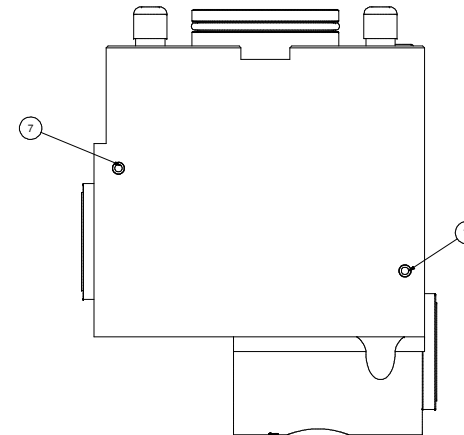
LUBRICATE AT ASSEMBLY WITH BP ENERGREASE ACS-2 OR EQUIVALENT REMOVE SET SCREW AND USE GREASE NIPPLE-SANDVIK #5692-012-01 WHEN LUBRICATING REPLACE SET SCREW (2x)

3.50  
LASER "50 Nm"  
AS SHOWN (2x)

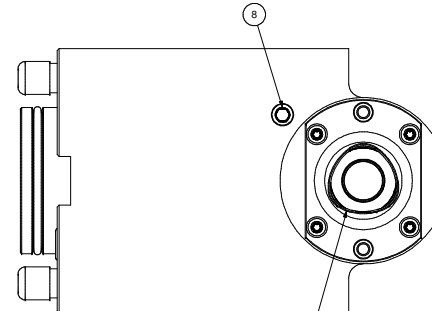


SECTION B-B  
SCALE 1 : 1

CLEAN WITH LOCTITE 7070  
APPLY LOCTITE 262 PER  
MANUFACTURER SPECIFICATION  
(FIRST 3 THREADS MIN.)  
TORQUE TO 39 Nm (2X)



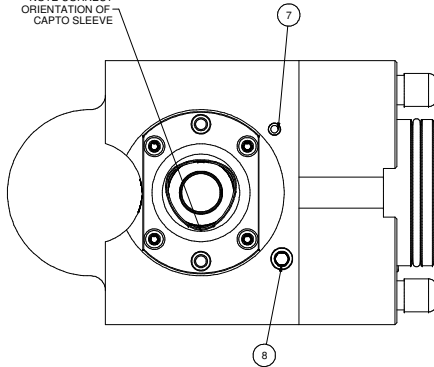
VIEW A-A  
SCALE 1 : 1



NOTE CORRECT  
ORIENTATION OF  
CAPTO SLEEVE

NOTES:  
1. USE KOENIG SETTING TOOL MB-050 FOR INSTALLING PLUGS, ITEM 8.

NOTE CORRECT  
ORIENTATION OF  
CAPTO SLEEVE



REVISION RECORD

REV	DESCRIPTION	BY	DATE
A	RELEASED	MH	11/04
B	ECR #7965	BAM	3/05
C	ECR #8046	BAM	5/05
D	ECR #8141	BAM	7/05
E	ECR #8279	ON	5/05

Parts List			
ITEM	QTY	PART NUMBER	DESCRIPTION
1.1	1	202-708-4470	O-RING 44.5 x 3
1.2	2	SHCSM8X25	CAP SCREW, M8 x 25
1.3	1	202-731-4470	O-RING 54.5 x 3
1.4	2	014-112	M8 LOCK WASHER
2	2	C4-CU-CS-11	CAPTO C4 CLAMPING UNIT, STATIC
3	1	T10100-C4-1	BODY, DOUBLE BORING BAR HOLDER CAPTO C4
4	4	FCWA-0111-019	M12 THREAD CAP
5	4	SHCSM12X110	CAP SCREW, M12 x 100
6	1	204-009-4470	O-RING, 3 x 2
7	5	MB 600-050	KOENIG EXPANDER SEALING PLUG
8	3	SSPLG0125BSPT	1/8" BSPT PIPE PLUG
9	1	LB-SANDVIK	SANDVIK LABEL
10	2	SSDPM8X16	SET SCREW, DOG POINT, M8 x 16

		PART NAME: CAPTO C4 LD. HOLDER DOUBLE MATERIAL: SEE BOM FINISH: N/A DRAWN BY: mathoy CHECKED BY:	NO. 2000, LH SCALE: NONE DATE: 11/3/2004
	WORLD HEADQUARTERS 11815 PENTAGON PARKWAY FARMINGTON, NEW YORK 14453	PART NUMBER: C4-LCI-NL2000-125075ADT	REV: E