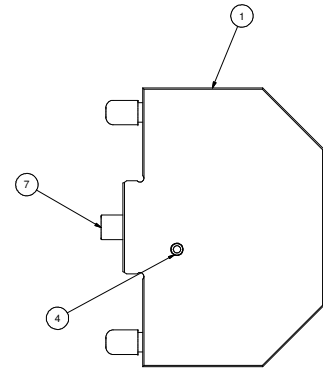
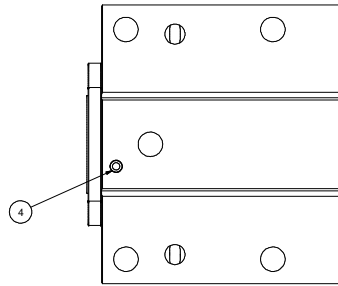
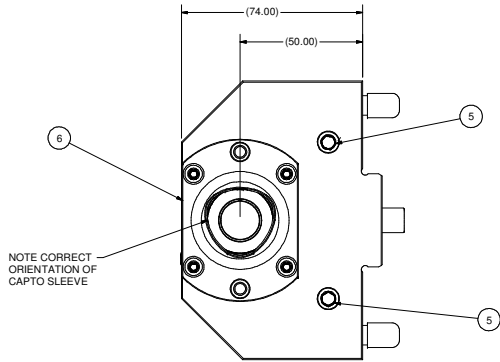
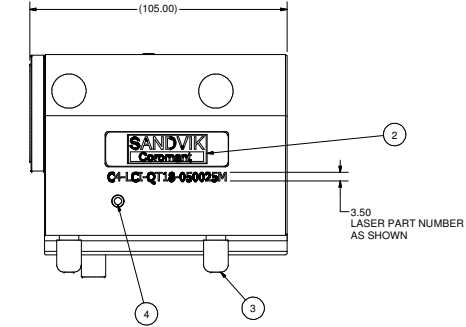
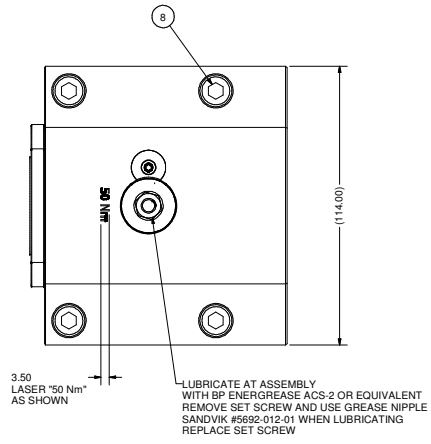




THIS DRAWING IS THE SOLE PROPERTY OF PARLEG INC. AND IS SUBJECT TO BEING RETURNED UPON REQUEST. IT SHALL NOT BE REPRODUCED IN WHOLE OR PART WITHOUT THE WRITTEN PERMISSION OF PARLEG INC. ANY VIOLATION IS PROHIBITED UNDER THE ENFORCEABLE LEGISLATION.



| Parts List |     |                       |  |
|------------|-----|-----------------------|--|
| ITEM       | QTY | PART NUMBER           | DESCRIPTION                            |
| 1          | 1   | C4-LCI-QT18-050025M-1 | BODY, BORING BAR HOLDER - CAPTO C4 R/L |
| 2          | 1   | LB-SANDVIK            | SANDVIK LABEL                          |
| 3          | 4   | FCWA-0079-013         | M8 THREAD CAP                          |
| 4          | 3   | MB 600-050            | KOENIG EXPANDER SEALING PLUG           |
| 5          | 2   | SSPLG0125BSPT         | 1/8" BSPT PIPE PLUG                    |
| 6          | 1   | C4-CL-CS-11           | CAPTO C4 CLAMPING UNIT, STATIC         |
| 7          | 1   | DWLM10X24             | DOWEL PIN, M10 X 24LG                  |
| 8          | 4   | SHCSM8X55             | CAP SCREW, M8 x 40                     |

- NOTES:
1. USE KOENIG SETTING TOOL MB-050 FOR INSTALLING PLUGS, ITEM 4.
  2. APPROXIMATE WEIGHT: 11.2 Lbs

|  |  |   |  |
|--|--|---|--|
|  |  | PART NAME: CAPTO C4 BORING BAR HOLDER, LH |  |
| BREAK ALL UNNECESSARY DIMENSIONS                                     |  | MATERIAL: SEE BOM                         |  |
| WORLD HEADQUARTERS<br>210 PENTON PARKWAY<br>FAIRPORT, NEW YORK 14450 |  | SCALE: NONE                               |  |
| DATE: 1/19/2016  |  | DATE:                                     |  |
| FINISH: N/A  |  | DATE:                                     |  |
| DRAWN BY: B.MARTINA  |  | CHECKED BY:                               |  |
| PART NUMBER: C4-LCI-QT18-050025M                                     |  | REV: 1                                    |  |