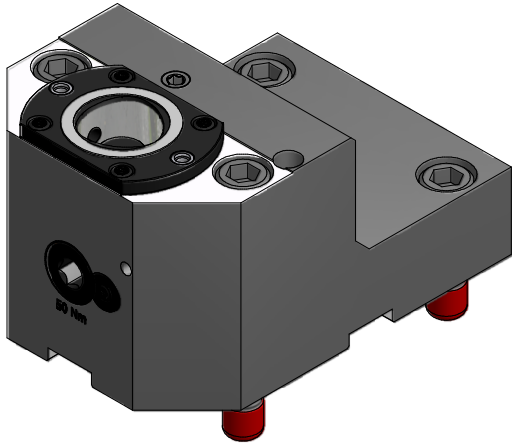
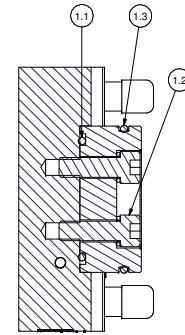
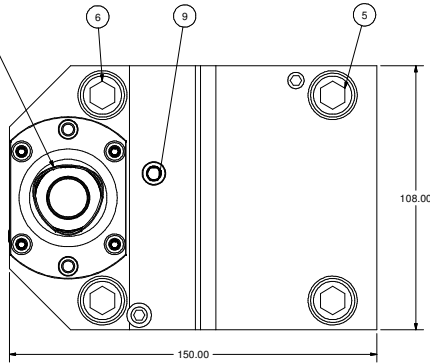


THIS DRAWING IS THE PROPERTY OF PARTEC INC. AND IS SUBJECT TO BEING RETURNED UPON REQUEST. IT SHALL NOT BE REPRODUCED IN WHOLE OR PART WITHOUT WRITTEN PERMISSION OF PARTEC INC. ANY VIOLATION IS PROHIBITED UNDER THE ENFORCEABLE TERMS OF THE LICENSE AGREEMENT.



NOTE CORRECT ORIENTATION OF CAPTO SLEEVE

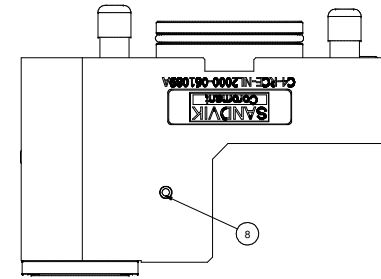
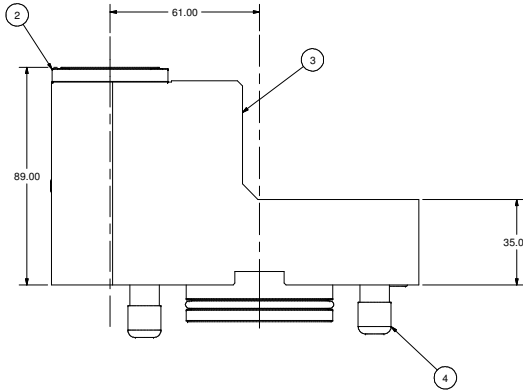


SECTION B-B  
SCALE 1 : 1

REVISION RECORD			
REV	DESCRIPTION	BY	DATE
A	RELEASED	MH	11/04
B	ECR #7965	BAM	3/05
C	ECR #8046	BAM	5/05
D	ECR #8141	BAM	7/05
E	ECR #8161	MW	8/05
F	ECR #8279	ON	8/06

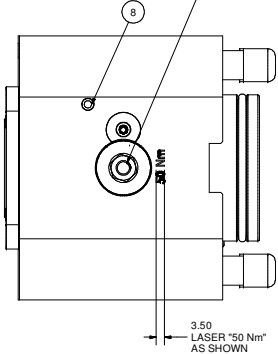
NOTES:

1. USE KOENIG SETTING TOOL MB-050 FOR INSTALLING PLUGS, ITEM 9.

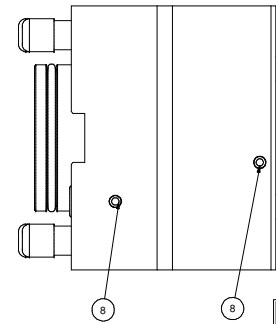
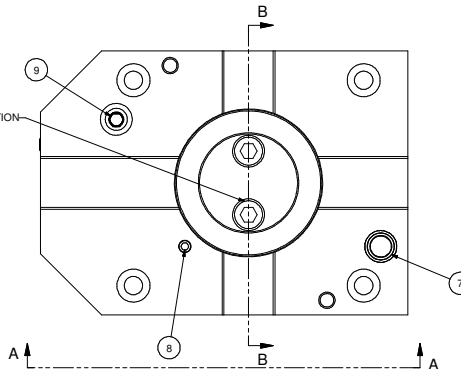


VIEW A-A  
SCALE 1 : 1

LUBRICATE AT ASSEMBLY WITH BP ENERGREASE ACS-2 OR EQUIVALENT REMOVE SET SCREW AND USE GREASE NIPPLE SANDVIK #5692-012-01 WHEN LUBRICATING REPLACE SET SCREW



CLEAN WITH LOCTITE 7070 APPLY LOCTITE 262 PER MANUFACTURER SPECIFICATION (FIRST 3 THREADS MIN.) TORQUE TO 39 Nm (2X)



Parts List			
ITEM	QTY	PART NUMBER	DESCRIPTION
1.1	1	202-788-4470	O-RING 44.5 x 3
1.2	2	SHCSM8X25	CAP SCREW, M8 x 25
1.3	1	202-731-4470	O-RING 54.5 x 3
1.4	2	014-112	M8 LOCK WASHER
2	1	C4-CU-CS-11	CAPTO C4 CLAMPING UNIT, STATIC
3	1	T00187-C4-1	BODY, OD CUTTING HOLDER - CAPTO C4 R/L
4	4	FCWA-0111-019	M12 THREAD CAP
5	2	SHCSM12X40	CAP SCREW, M12 x 40
6	2	SHCSM12X90	CAP SCREW, M12 x 90
7	1	204-009-4470	O-RING, 9 x 2
8	5	MB 600-050	KOENIG EXPANDER SEALING PLUG
9	2	SSPLG0125BSPT	1/8" BSPT PIPE PLUG
10	1	LB-SANDVIK	SANDVIK LABEL
11	2	SSDPM8X16	SET SCREW, DOG POINT, M8 x 16

		PART NAME: CAPTO C4 O.D. TURNING, NL 2000, RH MATERIAL: SEE BOM FINISH: N/A DRAWN BY: mathy CHECKED BY:	
WORLD HEADQUARTERS 200 PERVONIA PARKWAY FAIRPORT, NEW YORK 14450		SCALE: NONE DATE: 11/20/04	
PART NUMBER: C4-RCE-NL2000-061089A		REV: F	