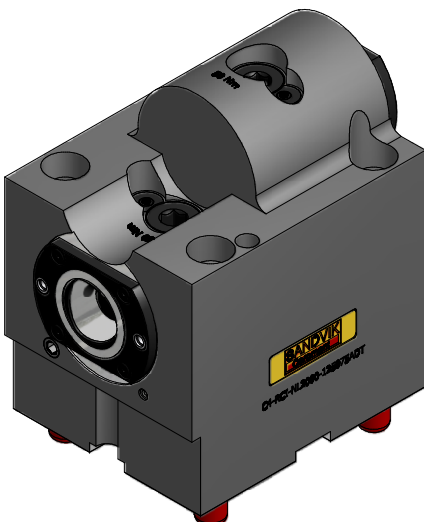


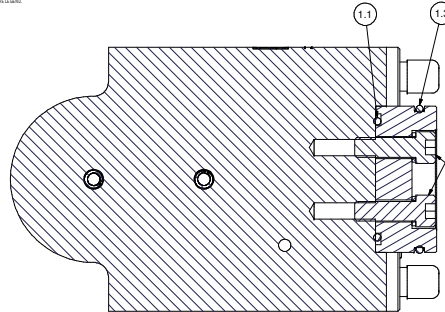
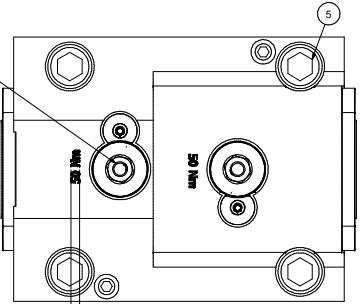
THIS DRAWING IS THE PROPERTY OF PARLEG INC. AND IS SUBJECT TO BEING RETURNED FOR REUSE. IT SHALL NOT BE REPRODUCED IN WHOLE OR PART WITHOUT THE WRITTEN PERMISSION OF PARLEG INC. ANY VIOLATION IS PROHIBITED UNDER THE ENFORCEABLE TERMS OF THE LICENSE AGREEMENT.

REVISION RECORD			
LET	DESCRIPTION	BY	DATE
A	RELEASED	MH	11/04
B	ECR #7965	BAM	3/05
C	ECR #8046	BAM	5/05
D	ECR #8141	BAM	7/05
E	ECR #8279	ON	5/06

LUBRICATE AT ASSEMBLY WITH BP ENERGREASE ACS-2 OR EQUIVALENT REMOVE SET SCREW AND USE GREASE NIPPLE-SANDVIK #5692-012-01 WHEN LUBRICATING REPLACE SET SCREW (2x)

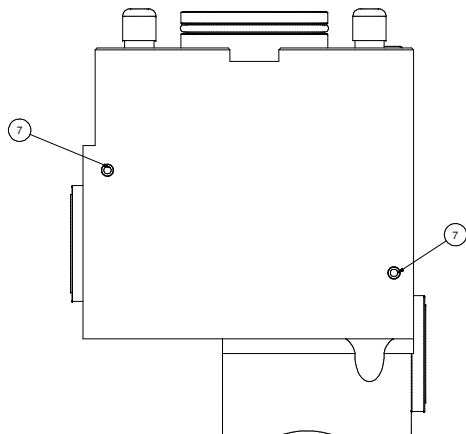
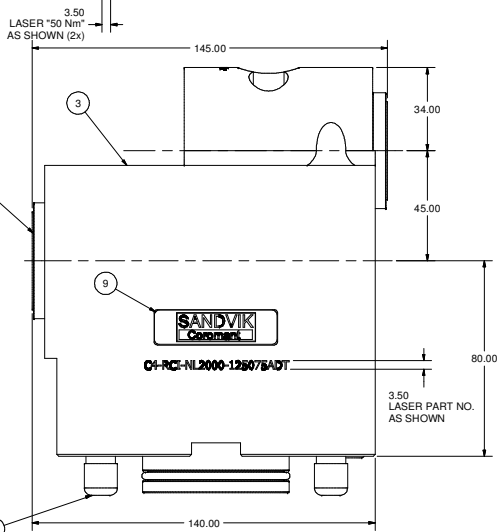


NOTES:
1. USE KOENIG SETTING TOOL MB-050 FOR INSTALLING PLUGS, ITEM 8.



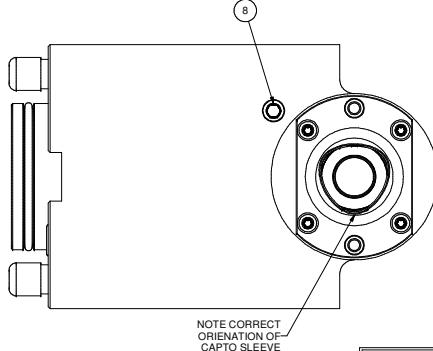
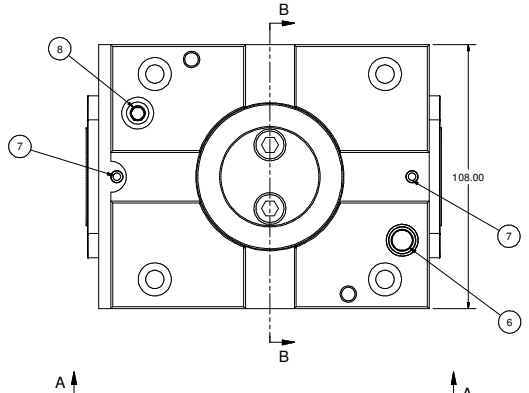
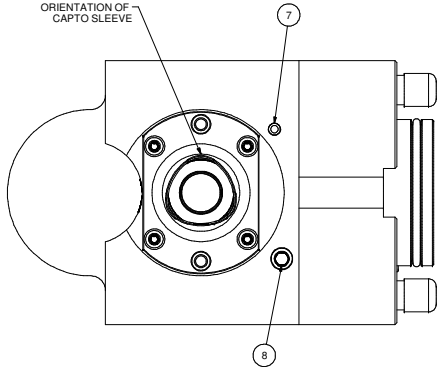
CLEAN WITH LOCTITE 7070 APPLY LOCTITE 262 PER MANUFACTURER SPECIFICATION (FIRST 3 THREADS MIN) TORQUE TO 39 Nm (2X)

SECTION B-B
SCALE 1 : 1



VIEW A-A
SCALE 1 : 1

NOTE CORRECT ORIENTATION OF CAPTO SLEEVE



NOTE CORRECT ORIENTATION OF CAPTO SLEEVE

Parts List			
ITEM	QTY	PART NUMBER	DESCRIPTION
1.1	1	202-788-4470	O-RING 44.5 x 3
1.2	2	SHCSM8X25	CAP SCREW, M8 x 25
1.3	1	202-731-4470	O-RING 54.5 x 3
1.4	2	014-112	M8 LOCK WASHER
2	2	C4-CU-CS-11	CAPTO C4 CLAMPING UNIT, STATIC
3	1	T10100-C4-1	BODY, DOUBLE BORING BAR HOLDER CAPTO C4
4	4	FCWA-0111-019	M12 THREAD CAP
5	4	SHCSM12X110	CAP SCREW, M12 x 100
6	1	204-009-4470	O-RING, 9 x 2
7	5	MB 600-050	KOENIG EXPANDER SEALING PLUG
8	3	SSPLG0125BSPT	1/8" BSPT PIPE PLUG
9	1	LB-SANDVIK	SANDVIK LABEL
10	2	SSDPM8X16	SET SCREW, DOG POINT, M8 x 16

	PARLEG WORLD HEADQUARTERS 200 PENTAGON PARKWAY FAIRPORT, NEW YORK 14450	PART NAME: CAPTO C4 LD. HOLDER DOUBLE, NL 2000, RH MATERIAL: SEE BOM FINISH: N/A DIMENSIONS: N/A WEIGHT: N/A DATE: 11/3/2004 DESIGNED BY: mathy CHECKED BY:	SCALE: NONE DATE: 11/3/2004 PART NUMBER: C4-RCI-NL2000-125075ADT REV: E
--	---	--	--