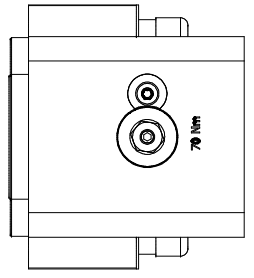
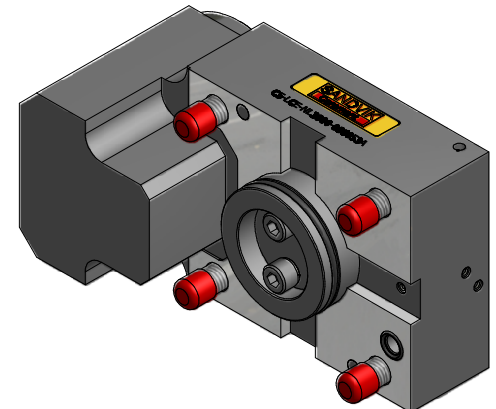
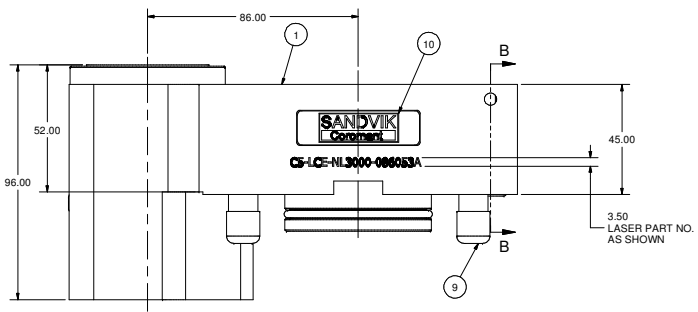
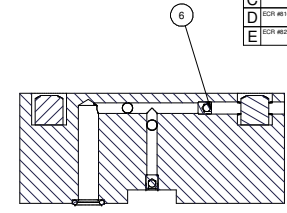
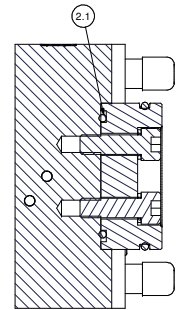
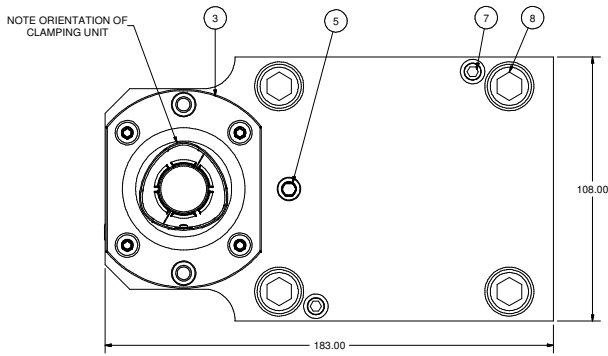
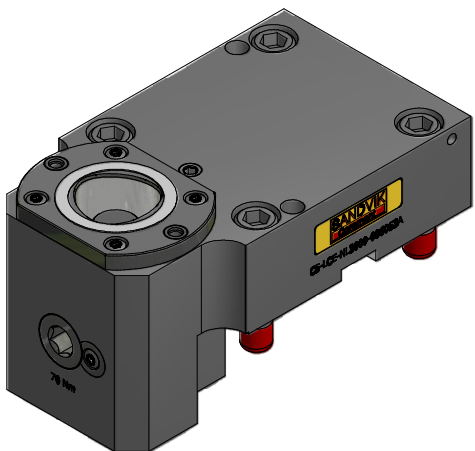
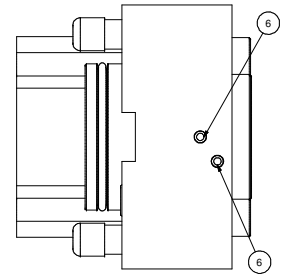
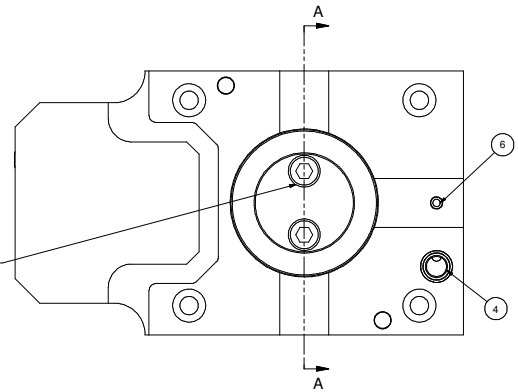


ITEMS SHOWN IN THIS DOCUMENT CONTAIN PROPRIETARY INFORMATION OF PARLEG, INC. AND IS SUBJECT TO BEING RETURNED UPON REQUEST. IT SHALL NOT BE REPRODUCED IN WHOLE OR PART WITHOUT WRITTEN PERMISSION OF PARLEG, INC. ANY VIOLATION IS PROHIBITED UNDER PENALTY OF THE FEDERAL CRIMINAL STATUTES.

REVISION RECORD			
LET	RELEASED	DESCRIPTION	BY DATE
A	RELEASED		MH 11/04
B	ECR #0046		BAM 5/05
C	ECR #0141		BAM 7/05
D	ECR #0161		MW 8/05
E	ECR #0279		ON 6/06



CLEAN WITH LOCTITE 7070  
APPLY LOCTITE 262 PER  
MANUFACTURER SPECIFICATION  
(FIRST 3 THREADS MIN.)  
TORQUE TO 39 Nm (2X)



Parts List			
ITEM	QTY	PART NUMBER	DESCRIPTION
1	1	C5-086053A-1	BODY, CAPTO C5, MAX O.D.
2.1	1	202-788-4470	O-RING 44.5 x 3
2.2	2	SHCSM8X25	CAP SCREW, M8 x 25
2.3	1	202-731-4470	O-RING 54.5 x 3
2.4	2	014-112	M8 LOCK WASHER
3	1	C5-CU-CS-11	CAPTO C5 CLAMPING UNIT, STATIC
4	1	204-009-4470	O-RING, 9 x 2
5	1	SSPLG01259SPT	1/8" BSPT PIPE PLUG
6	4	MB 600-050	KOENIG EXPANDER SEALING PLUG
7	2	SSM8X30	SET SCREW, FLAT POINT, M8 x 30
8	4	SHCSM12X50	CAP SCREW, M12 x 50
9	4	FCWA-0111-019	M12 THREAD CAP
10	1	LB-SANDVIK	SANDVIK LABEL

	<b>PARLEG</b> WORLD HEADQUARTERS 200 PENNINGTON PARKWAY FAIRPORT, NEW YORK 14450	PART NAME: CAPTO C5, MAX O.D. LH MATERIAL: SEE BOM FINISH: N/A DRAWN BY: T. TANGO	SCALE: NONE DATE: 11/20/04
	PART NUMBER: C5-LCE-NL3000-086053A	CHECKED BY:	REV: E