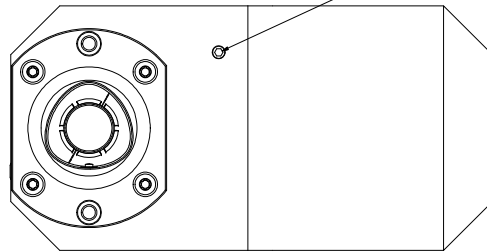
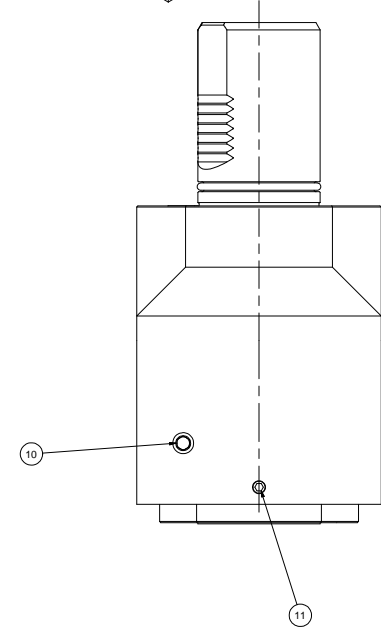
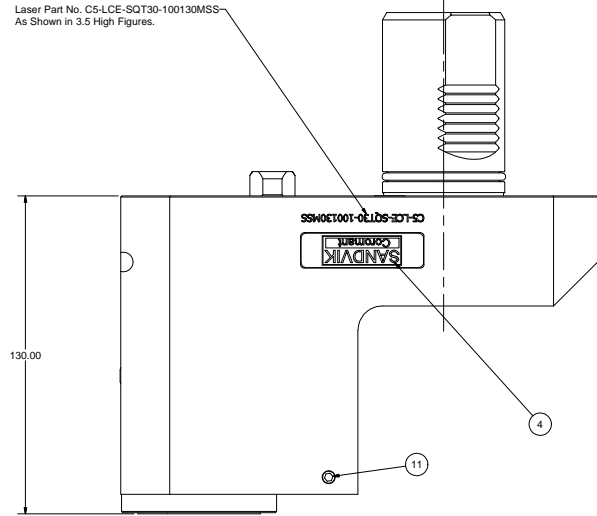
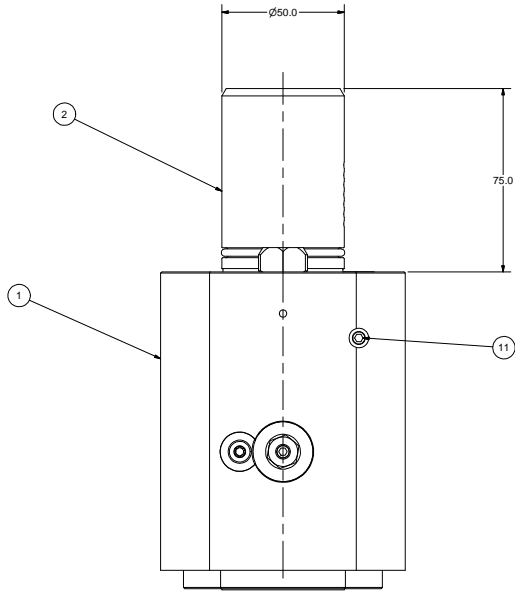
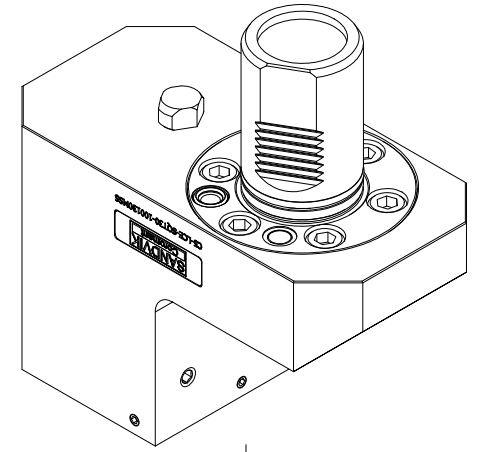
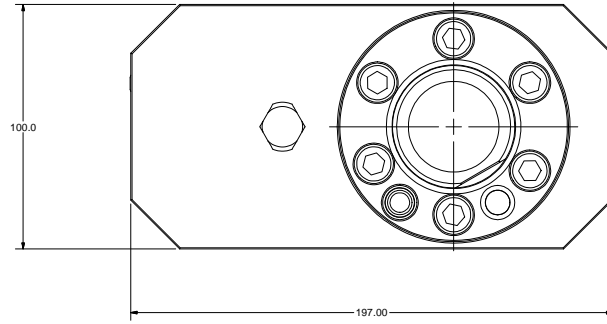


Parts List			
ITEM	QTY	PART NUMBER	DESCRIPTION
1	1	C5-RCE-SQT30-100130	C5 Ext. Reverse Tool Holder
2	1	226-14129-002	SQT28 Static Shank
4	1	LS-SANDVIK	SANDVIK LABEL
5	6	SHCSM10X25	CAP SCREW, M10 x 25
10	1	SSPLG0125BSPT	1/8" BSPT PIPE PLUG
11	4	SSM6X6	SET SCREW, M6 x 6
12	1	C5-CU-CS-11	CAPTO C5 CLAMPING UNIT, STATIC
8	1	196-13636-004	LOCATION PIN
9	1	204-010-4470	O-RING 10 x 2
10	1	202-789-4470	O-RING 44.5 x 3
11	1	DWLM10X30	DOWEL PIN

THIS DRAWING IS THE EXCLUSIVE PROPERTY OF PARLEG, INC. AND IS SUBJECT TO BEING RETURNED UPON REQUEST. IT SHALL NOT BE REPRODUCED IN WHOLE OR PART WITHOUT WRITTEN PERMISSION OF PARLEG, INC. ANY UNAUTHORIZED REPRODUCTION MUST BEAR THE EXPRESS LEGAL



		PARLEG		C5 External LH Reverse Tool Holder	
SPECIAL APPLICATIONS GROUP CONCEPTS 1000 WEST 10TH STREET WASHINGTON, PA 15360	WORLD HEADQUARTERS 1000 WEST 10TH STREET WASHINGTON, PA 15360	DATE: 11/1/2006 SCALE: NONE DRAWN BY: mbarco CHECKED BY:	PART NUMBER: C5-LCE-SQT30-100130MSS	PR 1	REV: 1