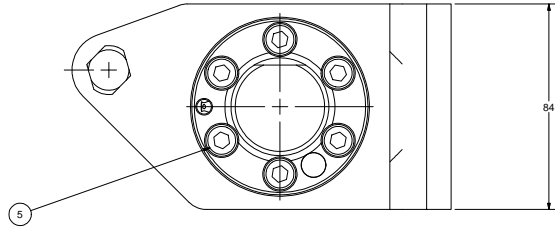
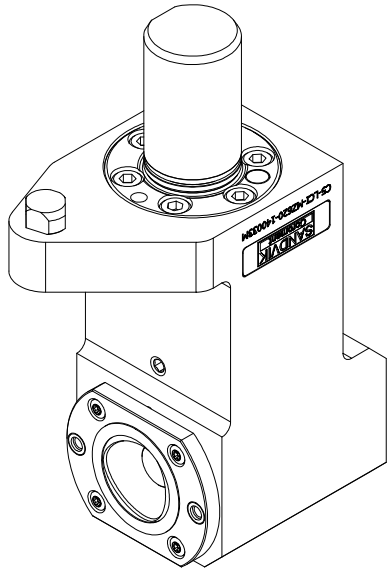
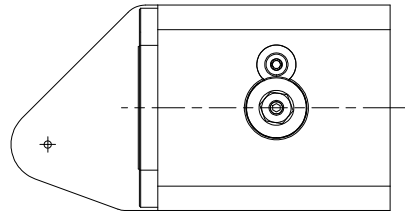
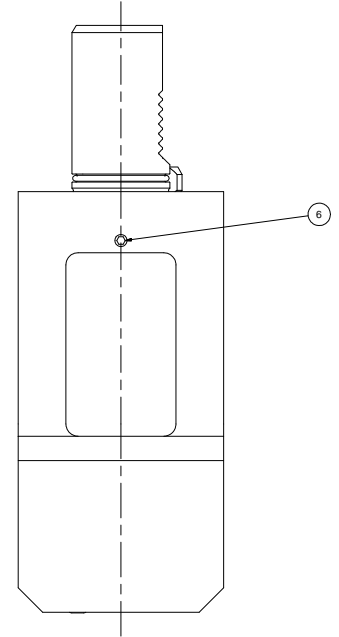
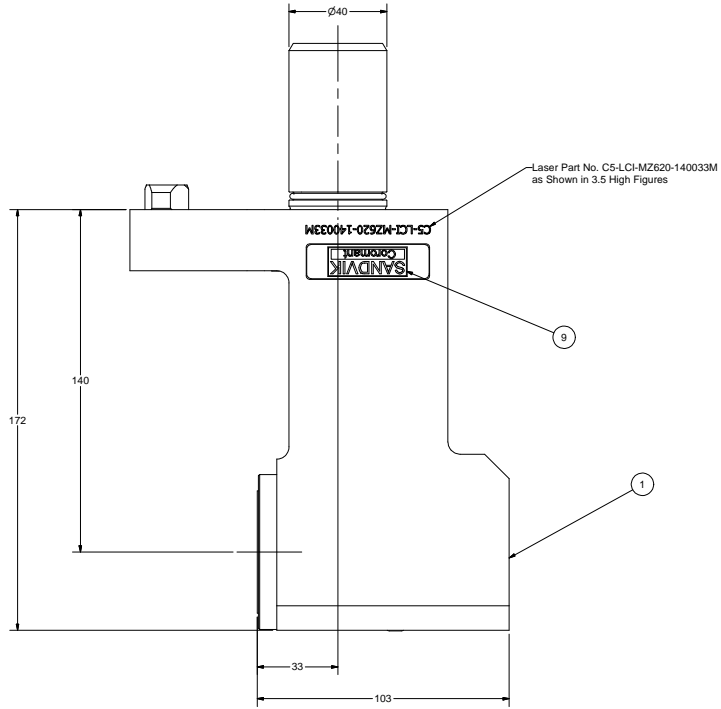
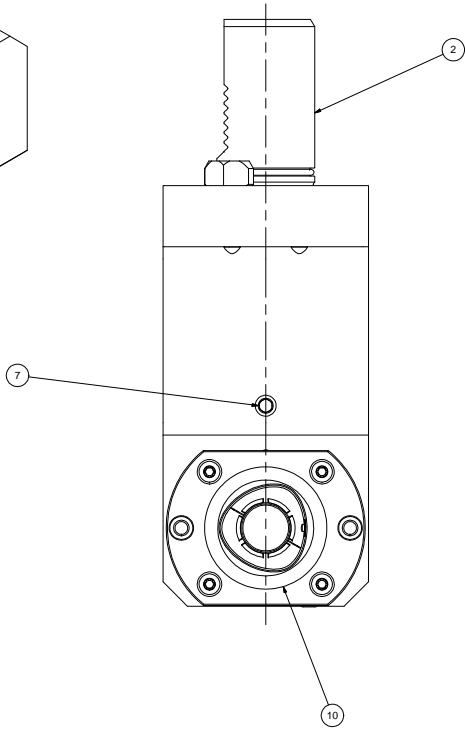


THIS DRAWING IS THE SOLE PROPERTY OF PARLEG, INC. AND IS SUBJECT TO BEING RETURNED UPON REQUEST. IT SHALL NOT BE REPRODUCED IN WHOLE OR PART WITHOUT THE PERMISSION OF PARLEG, INC. ANY UNAUTHORIZED REPRODUCTION MUST BEAR THE EXPRESS WRITTEN



Parts List			
ITEM	QTY	PART NUMBER	DESCRIPTION
1	1	C5-LCI-MZ620-140033M	C5 Internal L/H Reverse Tool Holder
2	1	217-14952-001	MP620 Static Shank
5	6	SHCSM8X16	CAP SCREW M8 X 16 LG
6	3	SSM6X6	SET SCREW M6 x 6
7	1	SSPLG0129BSPT	1/8" BSPT PIPE PLUG
8	1	202-652-4470	O-RING 54.5 x 3
9	1	LB-SANDVIK	SANDVIK LABEL
10	1	C5-CU-CS-11	CAPTO C5 CLAMPING UNIT, STATIC
9	1	196.13636.004	LOCATION PIN
10	1	DWLM10X24	DOWEL PIN, M10 X 24LG



		<b>PARLEG</b>		C5 Internal R/H Reverse Tool Holder	
SPECIAL APPLICATIONS WORLD HEADQUARTERS 100 PERSIMMON PARKWAY HANFORD, NEW YORK 14453	DATE: 2/26/2006 SCALE: NONE DRAWN BY: mbarcoi CHECKED BY:	MATERIAL:	FINISH:	DATE: 2/26/2006	SCALE: NONE
PART NUMBER		C5-LCI-MZ620-140033M		REV: 1	