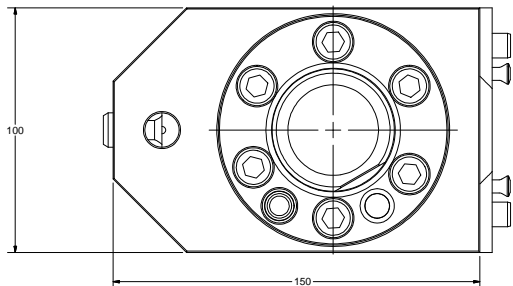
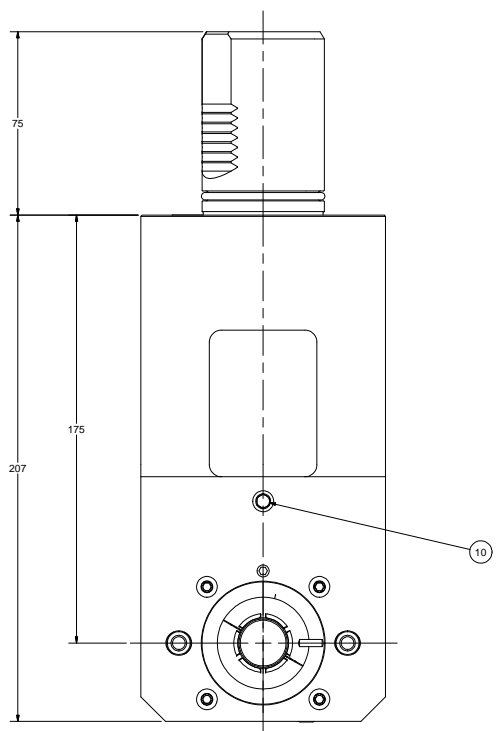
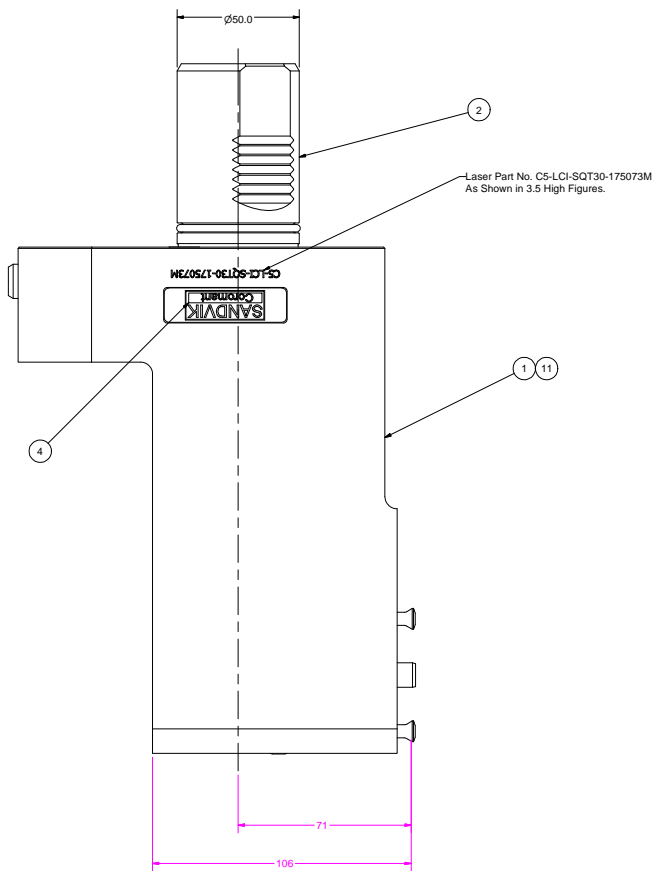
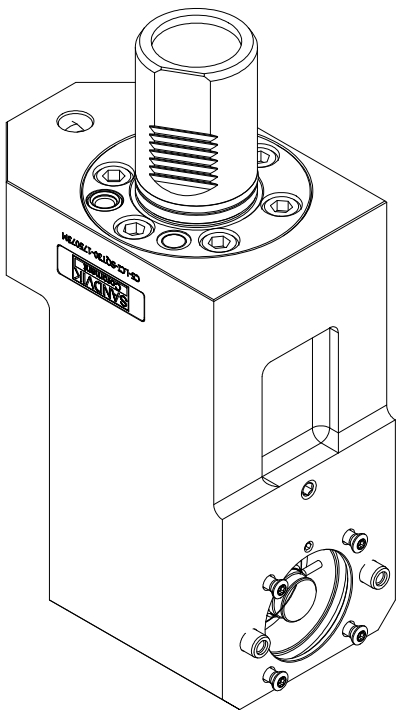


THIS DRAWING IS THE PROPERTY OF PARLEG INC. AND IS SUBJECT TO BEING RETURNED UPON REQUEST. IT SHALL NOT BE REPRODUCED IN WHOLE OR PART WITHOUT THE WRITTEN PERMISSION OF PARLEG INC. ANY UNAUTHORIZED REPRODUCTION MAY BE SUBJECT TO LEGAL ACTION.



Parts List			
ITEM	QTY	PART NUMBER	DESCRIPTION
1	1	C5-LCI-SQT30-175073 M-1	C5 Int. Forward Tool Holder
2	1	226-14129-002	SQT28 Static Shank
4	1	LB-SANDVIK	SANDVIK LABEL
5	6	SHCSM10X25	CAP SCREW, M10 x 25
10	1	SSPLG0125BSPT	1/8" BSPT PIPE PLUG
11	1	SSM6X6	SET SCREW, M6 x 6
12	1	C5-CU-CS-11 LEFT	
8	1	196.13636.004	LOCATION PIN
9	1	DWLM10X30	DOWEL PIN
10	1	204-010-4470	O-RING 10 x 2
11	1	202-788-4470	O-RING 44.5 x 3



		<b>PARLEG</b>		PART NAME: C5 Internal LH Forward Tool Holder	
SPECIAL INSTRUCTIONS: SHIP CONES	WORLD HEADQUARTERS 125 PERSIMMON PARKWAY BAYPORT, NEW YORK 11714	DATE: 11/1/2006	SCALE: NONE	DRAWN BY: marco	CHECKED BY:
DIMENSIONS: A1 x B1 A2 x B2 A3 x B3 A4 x B4	METRIC: mm x mm mm x mm mm x mm mm x mm	PART NUMBER: <b>C5-LCI-SQT30-175073M</b>			