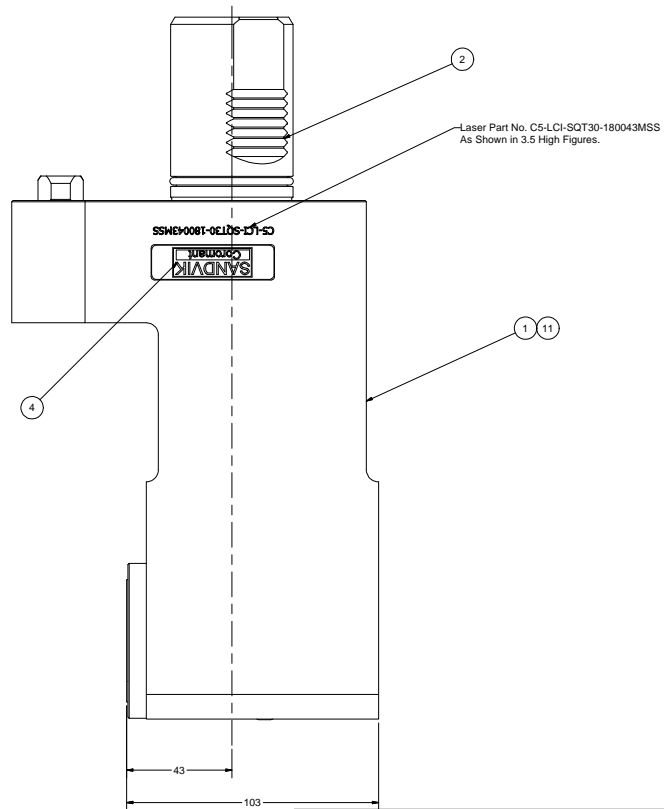
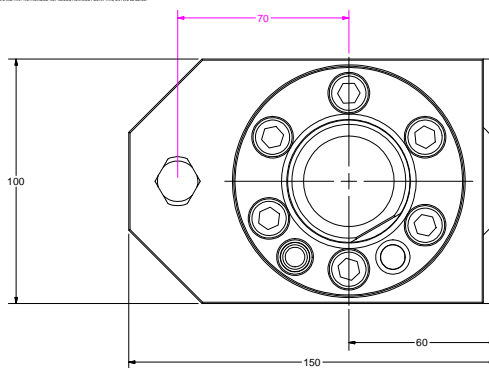
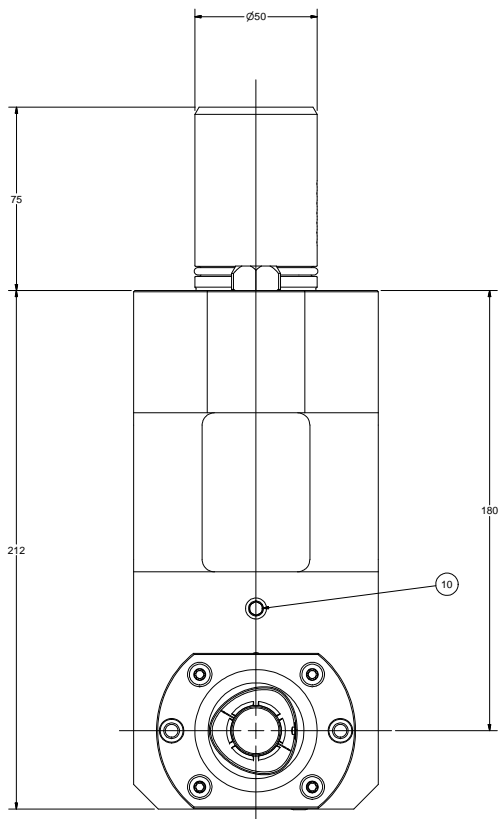
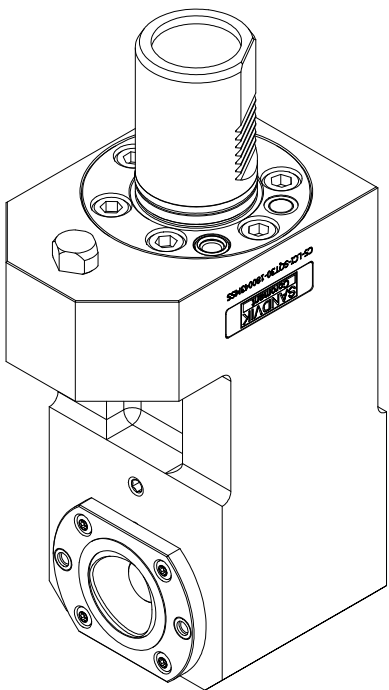


THIS DRAWING IS THE EXCLUSIVE PROPERTY OF PARLEG, INC. AND IS SUBJECT TO BEING RETURNED UPON REQUEST. IT SHALL NOT BE REPRODUCED IN WHOLE OR PART WITHOUT WRITTEN PERMISSION OF PARLEG, INC. ANY UNAUTHORIZED REPRODUCTION MUST BEAR THE PENALTY OF LAW.

Parts List			
ITEM	QTY	PART NUMBER	DESCRIPTION
1	1	C5-LCI-SQT30-180043MSS-1	C5 Int. Reverse Tool Holder
2	1	226-14129-002	SQT28 Static Shank
4	1	LB-SANDVIK	SANDVIK LABEL
5	6	SHCSM10X25	CAP SCREW, M10 x 25
10	1	SSPLG0125BSPT	1/8" BSPT PIPE PLUG
11	1	SSM6X6	SET SCREW, M6 x 6
12	1	C5-CU-CS-11	CAP TO C5 CLAMPING UNIT, STATIC
8	1	196.13636.004	LOCATION PIN
9	1	204-010-4470	O-RING 10 x 2
10	1	202-788-4470	O-RING 44.5 x 3
11	1	DWLM10X30	DOWEL PIN,



		PARLEG		PART NAME: C5 Internal LH Reverse Tool Holder	
SPECIAL PROJECTS WORLD HEADQUARTERS 100 PERSIMMON PARKWAY BAYPORT, NEW YORK 11714	DATE: 11/1/2006	SCALE: NONE	DRAWN BY: marcoe	CHECKED BY:	REV:
PART NUMBER: C5-LCI-SQT30-180043MSS PR 1					