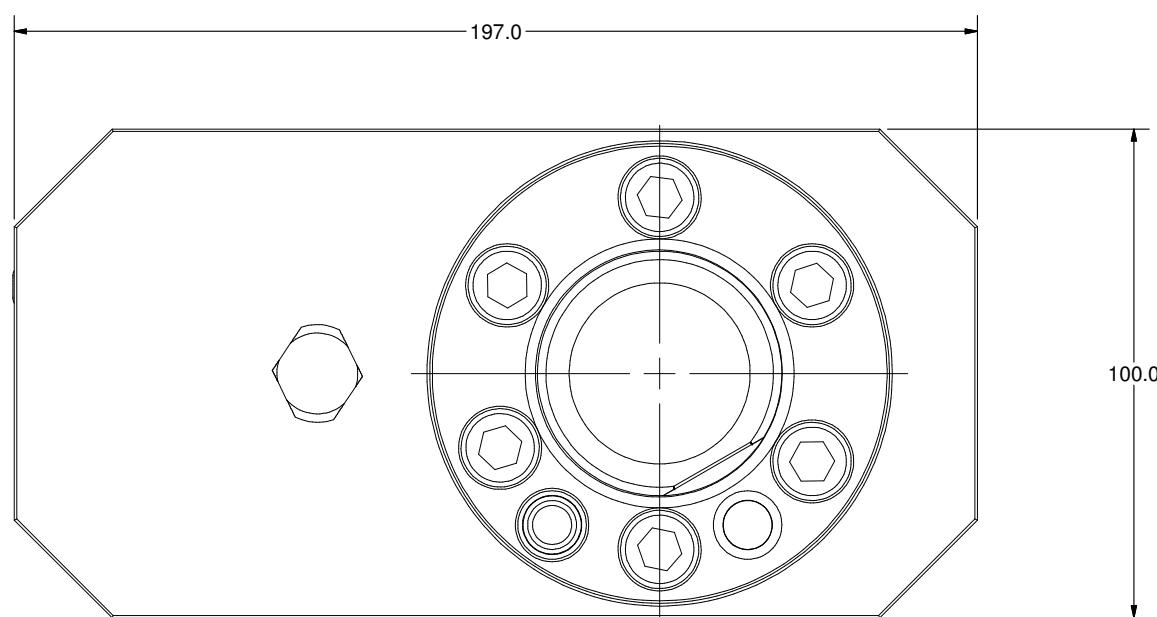
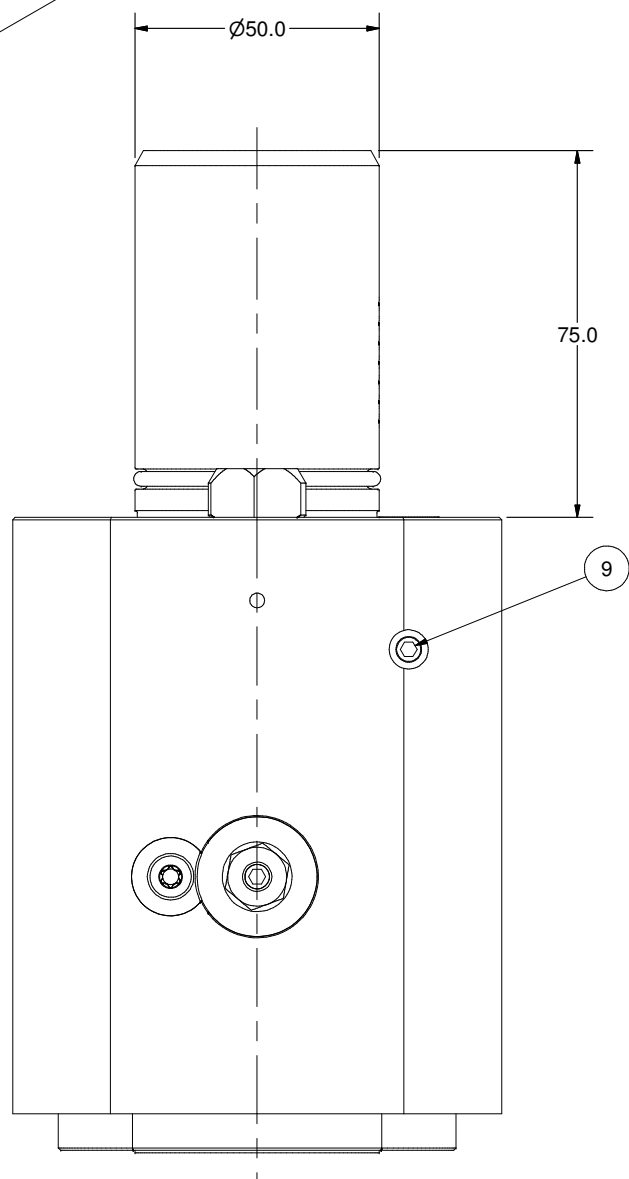
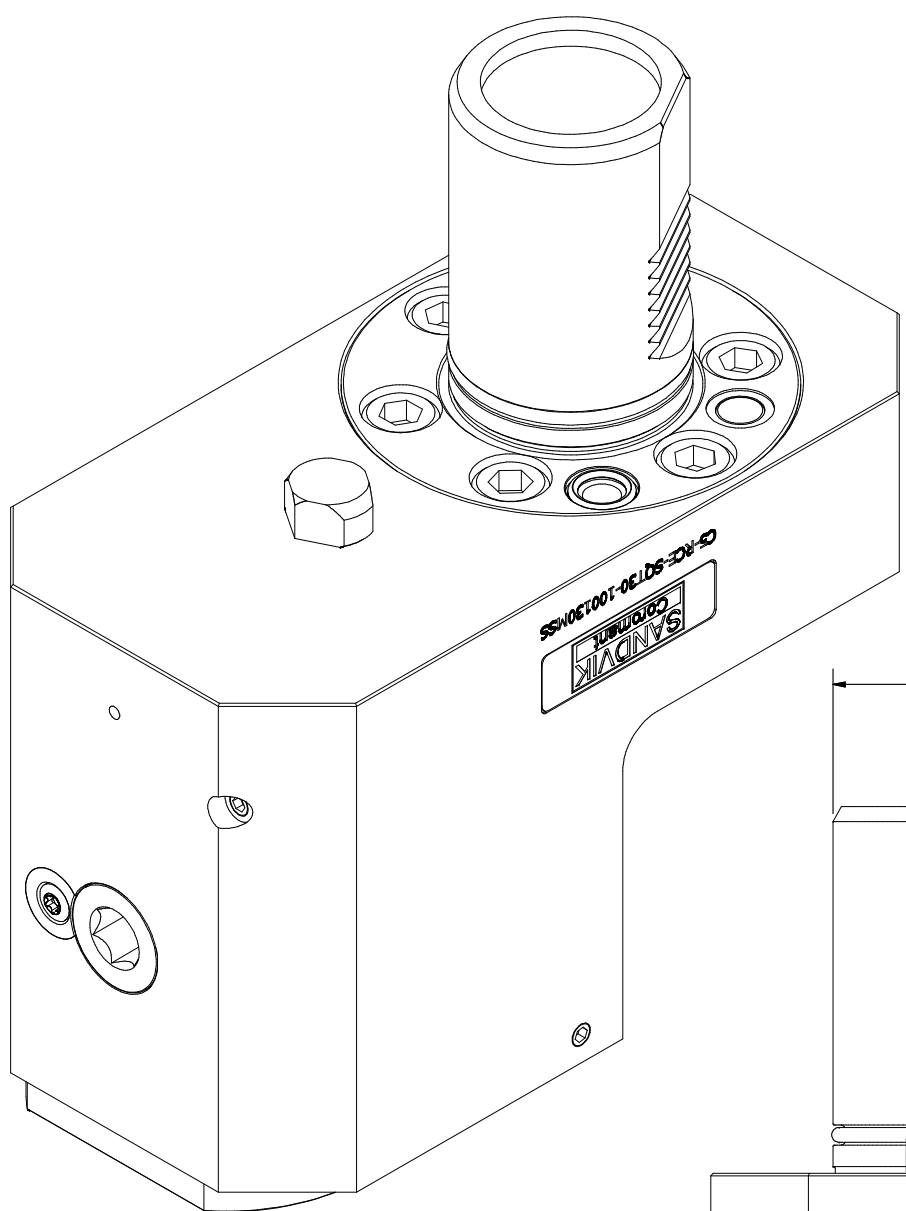
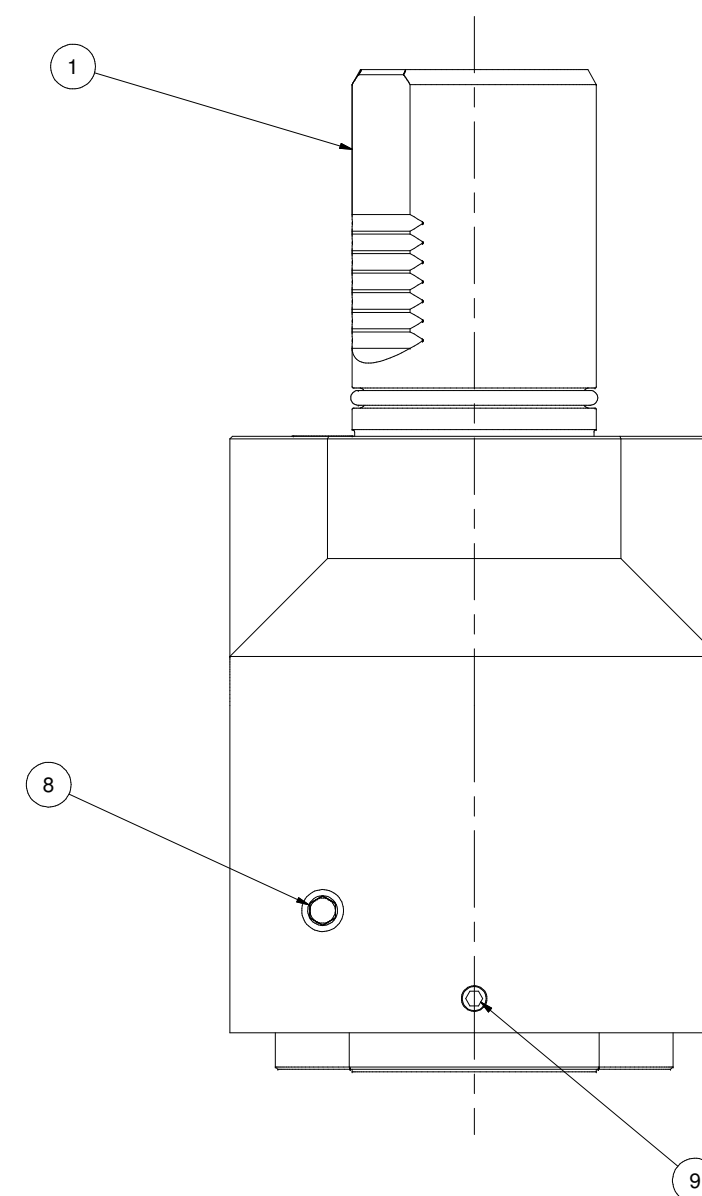
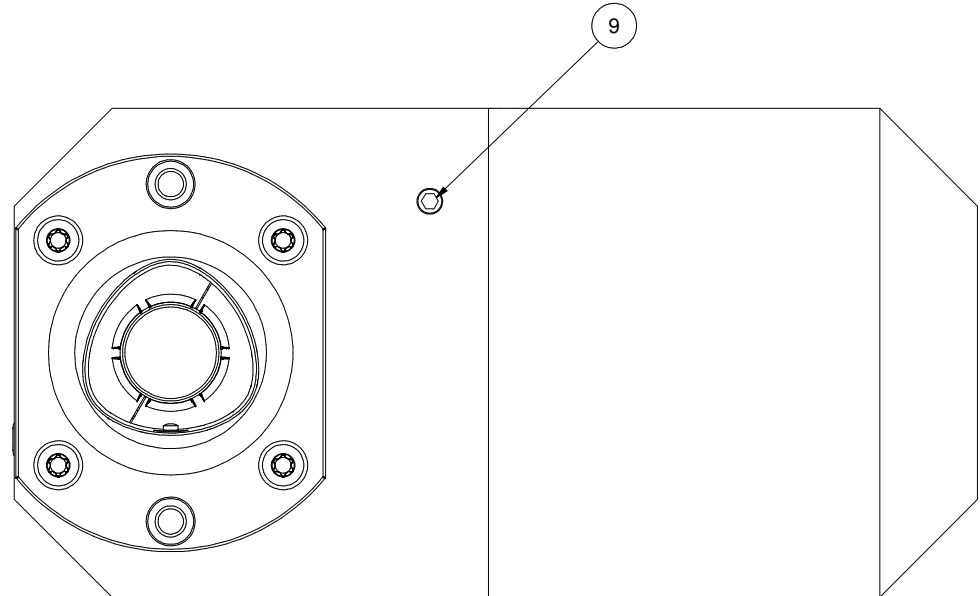
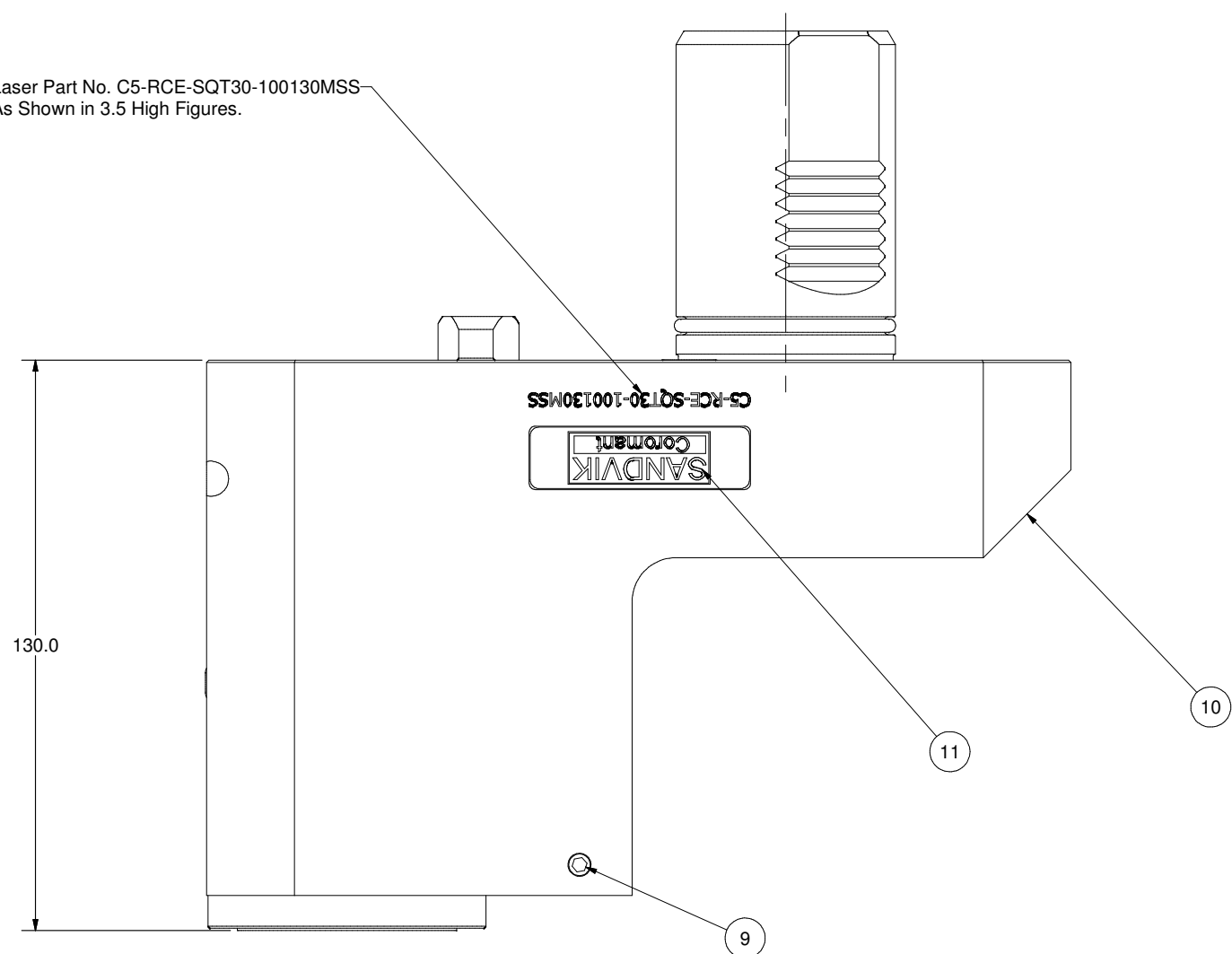


ITEMS SHOWN ON THIS DOCUMENT CONTAIN PROPRIETARY INFORMATION OF PARLEC INC. AND IS SUBJECT TO BEING RETURNED UPON REQUEST. IT SHALL NOT BE REPRODUCED IN WHOLE OR PART WITHOUT WRITTEN PERMISSION OF PARLEC INC. ANY AUTHORIZED REPRODUCTION MUST BEAR THIS ENTIRE LEGEND.



Laser Part No. C5-RCE-SQT30-100130MSS  
As Shown in 3.5 High Figures.



Parts List			
ITEM	QTY	PART NUMBER	DESCRIPTION
1	1	226-14129-002	SQT28 Static Shank
3	6	SHCSM10X25	CAP SCREW, M10 x 25
8	1	SSPLG0125BSPT	1/8" BSPT PIPE PLUG
9	4	SSM6X6	SET SCREW, M6 x 6
10	1	C5-RCE-SQT30-100130 MSS-1	C5 Ext. Reverse Tool Holder
11	1	LB-SANDVIK	SANDVIK LABEL
12	1	196.13636.004	LOCATION PIN
13	1	204-010-4470	O-RING 10 x 2
14	1	202-788-4470	O-RING 44.5 x 3
15	1	DWLM10X30	DOWEL PIN,
16	1	C5-CU-CS-11	CAPTO C5 CLAMPING UNIT, STATIC

THIRD ANGLE PROJECTION BREAK ALL UNNECESSARY SHARP CORNERS ANGULAR ± 1° (DEGREE)		<b>PARLEC</b> (800) TOOL USA WORLD HEADQUARTERS 101 PERINTON PARKWAY FAIRPORT, NEW YORK 14450	PART NAME: C5 External L/H Reverse Tool Holder	SCALE: NONE
INCH DIMENSIONS: X & 04, XX & 015, XXX & 005, XXXX & 0002 METRIC DIMENSIONS: X & 1, X & 05, XX & 013, XXX & 0065			MATERIAL: -	DATE: 1/24/2006
		FINISH: -	DRAWN BY: marool	CHECKED BY: -
PART NUMBER: C5-RCE-SQT30-100130MSS		REV: PR1		