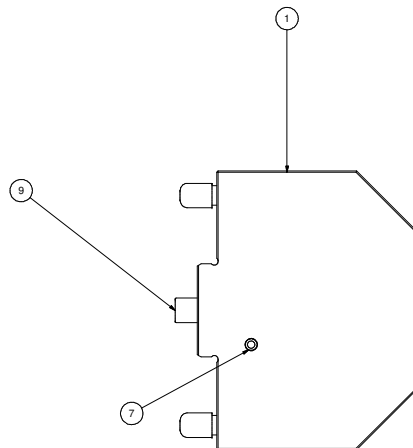
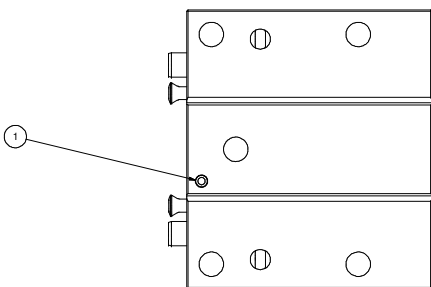
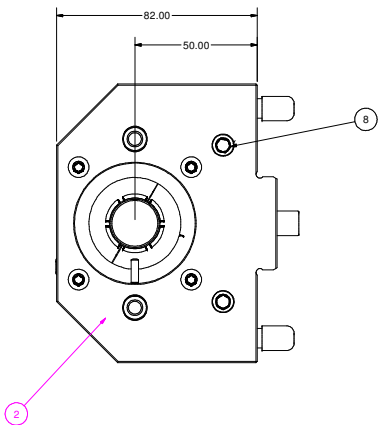
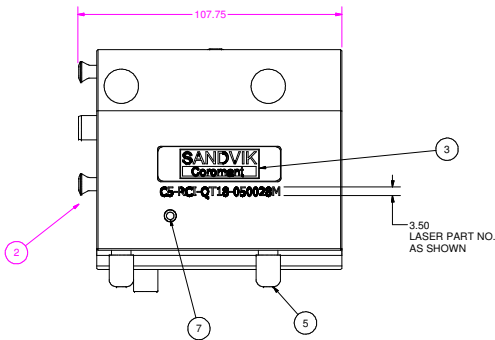
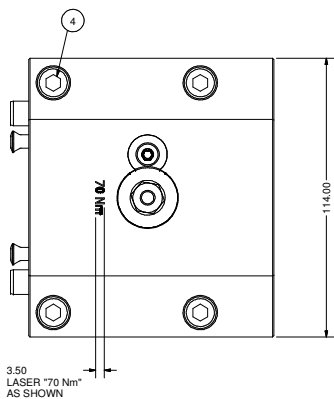


ITEMS SHOWN IN THIS DOCUMENT CONTAIN PROPRIETARY INFORMATION OF PARTEC, INC. AND IS SUBJECT TO BEING RETURNED UPON REQUEST. IT SHALL NOT BE REPRODUCED IN WHOLE OR PART WITHOUT WRITTEN PERMISSION OF PARTEC, INC. ANY VIOLATION IS PROHIBITED UNDER PENALTY OF THE ENFORCEMENT.



Parts List			
ITEM	QTY	PART NUMBER	DESCRIPTION
1	1	C5-RC-QT18-050028M-1	BODY, BORING BAR HOLDER - CAPTO C5 R/L
2	1	C5-CU-CS-11 LEFT	SANDVIK LABEL
3	1	LB-SANDVIK	CAP SCREW, M8 x 40
4	4	SHCSM8X65	M8 THREAD CAP
5	4	FCWA-0079-013	KOENIG EXPANDER SEALING PLUG
7	3	MB 600-050	1/8" BSPT PIPE PLUG
8	2	SSPLG0125BSPT	DOWEL PIN, M10 X 24LG
9	1	DWLM10X24	

- NOTES:
1. USE KOENIG SETTING TOOL MB-050 FOR INSTALLING PLUGS, ITEM 7.
 2. APPROXIMATE WEIGHT: 14 Lbs.

		PART NAME: CAPTO C5 BORING BAR HOLDER, R/L MATERIAL: SEE BOM SCALE: NONE DATE: 1/19/2016	
WORLD HEADQUARTERS 200 FORTYTHIRD AVENUE FAIRPORT, NEW YORK 11734		PART NUMBER: C5-RC-QT18-050028M REV: 1	