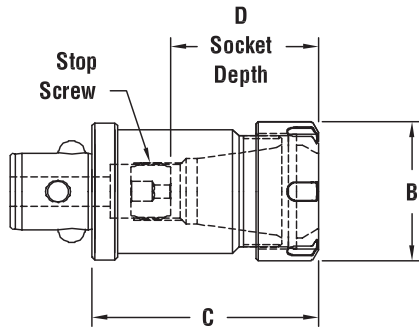


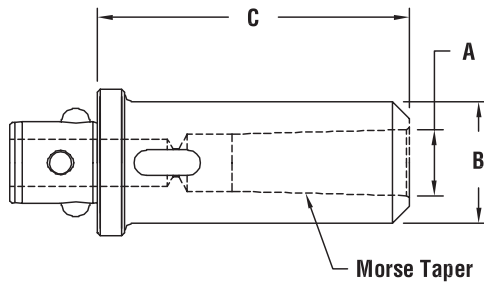
Modular Toolholder

Collet Chucks, Morse Tapers



MODULAR COLLET CHUCK

Part Number	Connection Size	Type/Size	Projection	Page #
PC4-16ER325	PC4	ER16	3.12	TH 35
PC4-18DC2	PC4	DA 180	2.28	TH 57
PC4-20ER325	PC4	ER 20	3.25	TH 35
PC4-32ER325	PC4	ER 32	3.25	TH 38
PC6-10SC3	PC6	100 PG	3.25	TH 48
PC6-18CD2	PC6	DA 180	3.43	TH 57
PC6-20ER340	PC6	ER 20	3.40	TH 35
PC6-32ER340	PC6	ER 32	3.40	TH 38



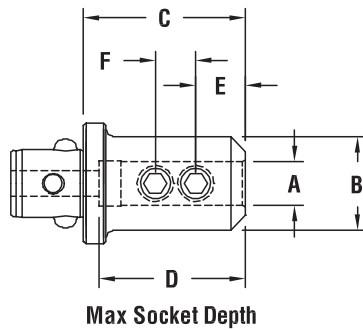
MODULAR MORSE TAPER HOLDERS

Part Number	Connection Size	Size	Projection	Page #
PC6-02MT4	PC6	#2 MT	3.91	TH 93
PC6-03MT5	PC6	#3 MT	4.78	TH 93
PC6-04MT6	PC6	#4 MT	5.53	TH 93

Part numbers in **bold face** are in-stock items.

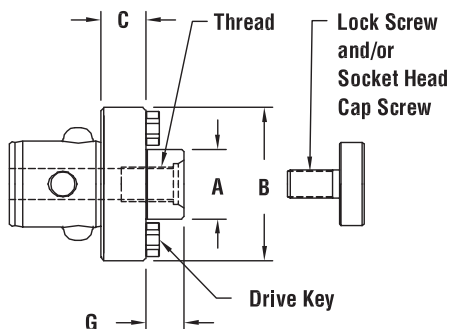
Modular Toolholder

End Mill and Shell Mill Holders



MODULAR END MILL HOLDERS

Part Number	Connection Size	Size	Projection	Page #
PC4-50EM3	PC4	.500	3.13	TH 81
PC4-62EM3	PC4	.625	3.13	TH 82
PC4-75EM3	PC4	.750	3.13	TH 82
PC6-25EM1	PC6	.250	1.28	TH 79
PC6-37EM1	PC6	.375	1.78	TH 79
PC6-50EM2	PC6	.500	1.90	TH 81
PC6-62EM3	PC6	.625	3.03	TH 82
PC6-75EM3	PC6	.750	3.03	TH 82
PC6-87EM3	PC6	.875	3.03	TH 83
PC6-10EM3	PC6	1.000	3.28	TH 83
PC6-12EM3	PC6	1.250	3.28	TH 84



MODULAR SHELL MILL HOLDERS

Part Number	Connection Size	Size	Projection	Page #
PC4-75SM1	PC4	.750	.78	TH 87
PC6-75SM1	PC6	.750	.78	TH 87
PC6-10SM1	PC6	1.000	.78	TH 87
PC6-12SM1	PC6	1.250	1.03	TH 88
PC6-15SM2	PC6	1.500	153.00	TH 88

Tapping Heads Available on request, see page 170, 171.
Part numbers in **bold face** are in-stock items.