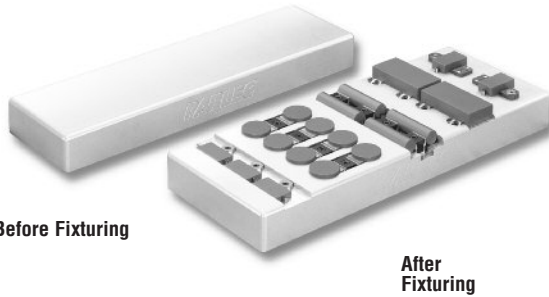
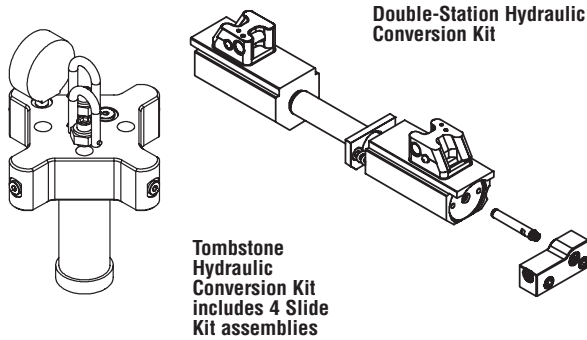


Accessories



MACHINABLE FIXTURE PLATES

Part Number	Fits Vise Size	Width	Height
PFP1040-100.40	100mm	95mm	40mm
PFP1040-100.50	100mm	95mm	50mm
PFP1040-150.40	100mm	145mm	40mm
PFP1040-150.50	100mm	145mm	50mm
PFP1550-150.50	150mm	146mm	50mm
PFP1550-150.75	150mm	146mm	75mm
PFP1550-200.50	150mm	196mm	50mm
PFP1550-200.75	150mm	196mm	75mm



HYDRAULIC CONVERSION KITS

Part Number	Part Number	Fits Vise Size
PHS-100MM	100mm	Vise Hydraulic Conversion
PHS-100MM-TB	100mm	Tombstone Hydraulic Conversion
PHS-150MM	150mm	Vise Hydraulic Conversion
PHS-150MM-TB	150mm	Tombstone Hydraulic Conversion



TORQUE WRENCH

Part Number	Description
TW-150	30-150 ft.-lbs., 16mm, 16.6" length

ATTACHMENTS

Part Number	Description
PWS-Ratchet	Adapter, Ratchet head, 1/2" Drive
PWS-12mm	100mm
PWS-16mm	150mm



TOE CLAMP SETS

Part Number	Fits Vise Size
PWS-TC100	100mm
PWS-TC150	150mm



WORKSTOPS

Part Number	Description
PWS-EXT	8" length extension
PWS-WS	6" workstop

Part numbers in **bold face** are in-stock items.