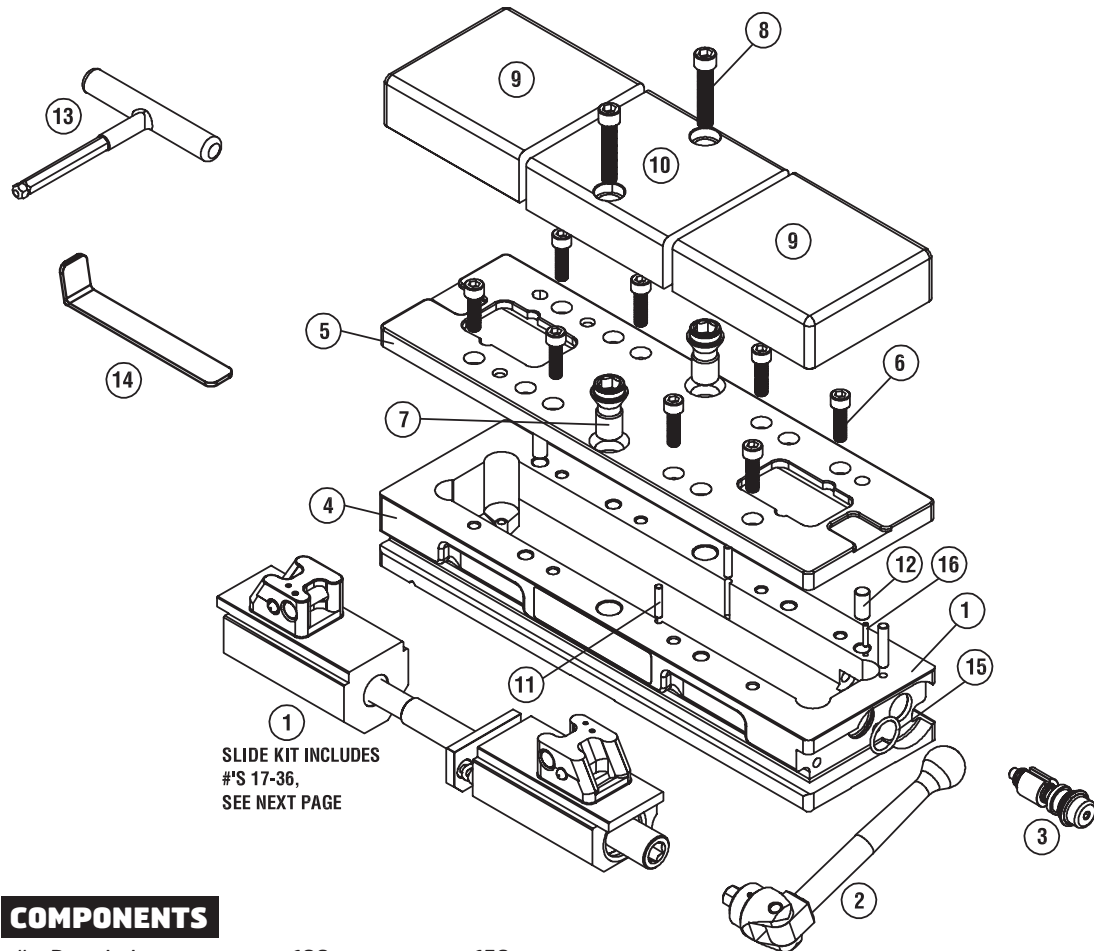


System Components

STANDARD JAW SET INCLUDED WITH PURCHASE OF WORKHOLDING UNIT



SLIDE KIT INCLUDES #S 17-36, SEE NEXT PAGE

COMPONENTS

#	Description	100mm	150mm
1.	Slide Kit	PWS-10402SA	PWS-15502SA
2.	Handle Kit	PWS-1040HA	PWS-1550HA
3.	Offset Adjustable Dial Kit	PWS-10400A	PWS-15500A
4.	Main Body	PWS-10468	PWS-15568
5.	Cover Plate	PWS-10420	PWS-15520
6.	Top Plate Bolt	PWS-10449	PWS-15549
7.	Jaw Stud Mount	PWS-10425	PWS-15525
8.	Center Jaw Mount Bolt	PWS-10460	PWS-15560
9.	Machable Movable Jaws	PMJ1040-100.40	PMJ1550-150.50
10.	Machable Center Jaw	PCJ1040-100.40	PCJ1550-150.50
11.	Dowel Pin	PWS-10481	PWS-15581
12.	Dowel Pin	PWS-10450	PWS-15550
13.	Center Jaw Hex Wrench	PWS-10461	PWS-15561
14.	Jaw Pry Wrench	PWS-15534	PWS-15534
15.	Mainbody O Ring	PWS-10475	PWS-15575
16.	Pull Dowel Pin	PWS-10497	PWS-15597

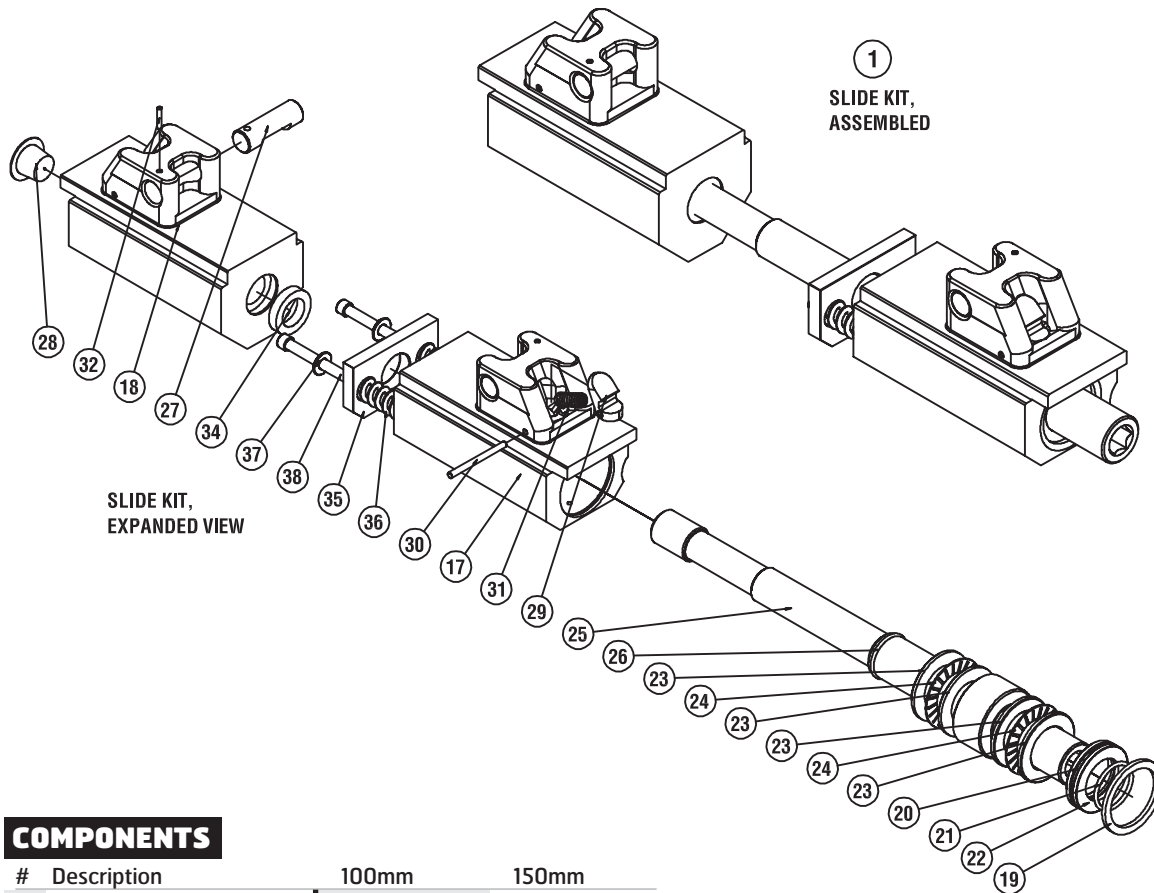


Tool Kit Item #'s 2, 13, and 14 are included with each system.

Part numbers in **bold face** are in-stock items.

System Components

Slide Assembly



COMPONENTS

#	Description	100mm	150mm
17.	Front Slide Segment	PWS-10421L	PWS-15521L
18.	Rear Slide Segment	PWS-10422L	PWS-15522L
19.	Main Screw Retaining Ring	PWS-10448	PWS-15548
20.	Main Screw Outside O Ring	PWS-10457	PWS-15557
21.	Main Screw Inside O Ring	PWS-10458	PWS-15558
22.	Retainer Ring	PWS-10435	PWS-15535
23.	Main Screw Bearing Washer	PWS-10485	PWS-15585
24.	Main Screw Thrust Bearing	PWS-10446	PWS-15546
25.	Main Screw	PWS-10423	PWS-15523
26.	Main Screw O Ring	PWS-10452	PWS-15552
27.	Pressure Pin	PWS-10429	PWS-15529
28.	Rear Slide Hole Plug	PWS-10469	PWS-15608
29.	Latch	PWS-10531	PWS-15631
30.	Latch Dowel Pin	PWS-10532	PWS-15632
31.	Latch Spring	PWS-10540	PWS-15640
32.	Pressure Pin Retainer Pin	PWS-10444	PWS-15544
33.	Jaw Plunger Inside	—	—
34.	Main Screw U Seal	PWS-10453	PWS-15553
35.	Spring Plate	PWS-10493	PWS-15593
36.	Front Slide Spring	PWS-10476	PWS-15576
37.	Spring Plate Screws	—	PWS-15657
38.	Spring Plate Washers	—	PWS-15658

Part numbers in **bold face** are in-stock items.