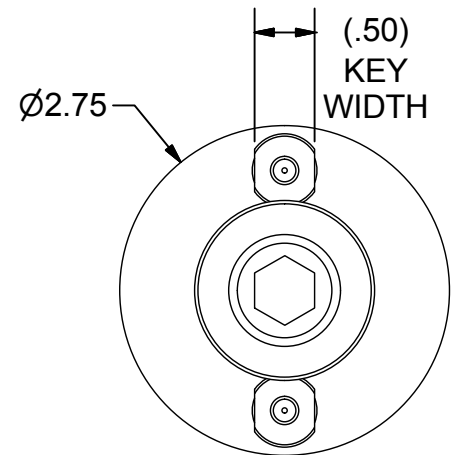
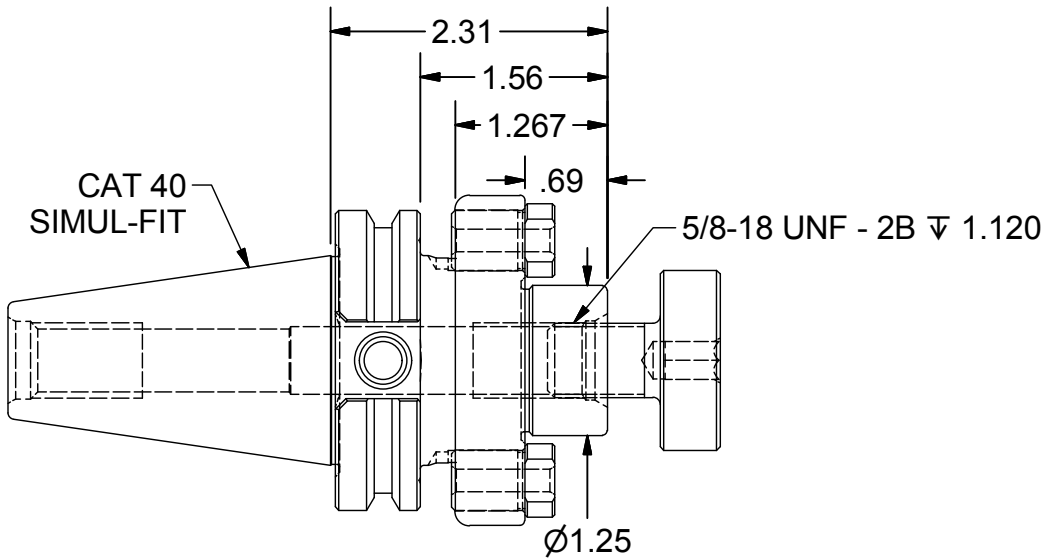
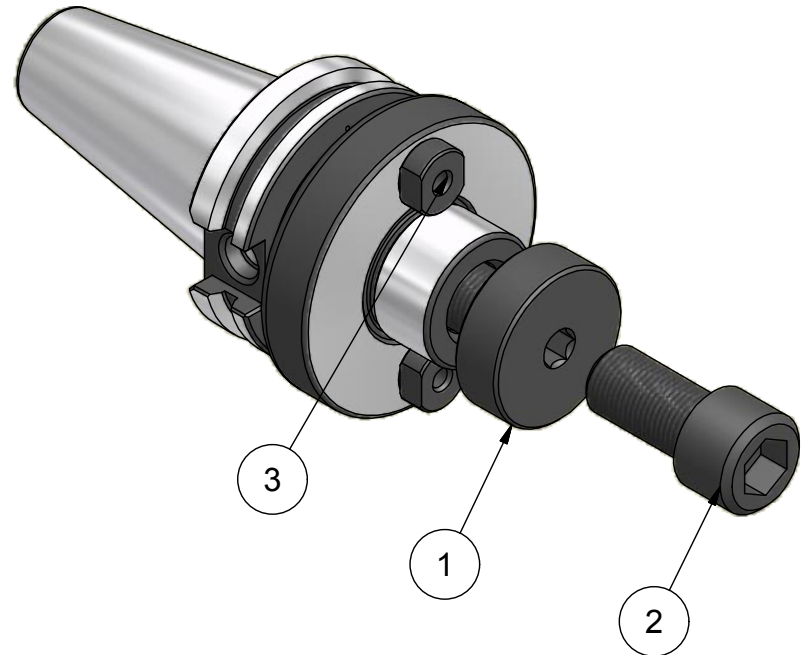


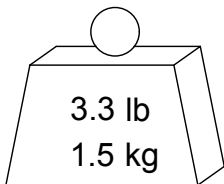
Parts List

ITEM	QTY	PART NUMBER	DESCRIPTION
1	1	12LS	LOCK SCREW
2	1	028-193	SHCS 5/8-18 x 1-1/4
3	2	12KY	DRIVE KEY



NOTES

1.) Does not have tool changer safe zone. May not fit some machines. Deviates from ANSI B5.50.



PART NUMBER

C40F-12SM1

PARLEC
 (800) TOOL USA
 WORLD HEADQUARTERS
 101 PERINTON PARKWAY
 FAIRPORT, NEW YORK 14450