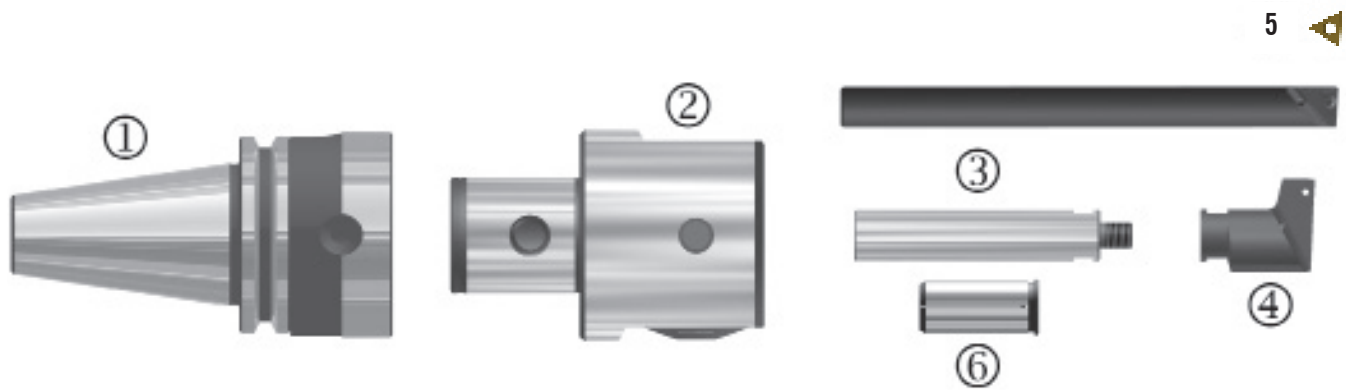


# Configuring A Small Diameter System



## .078" - 1.89" (2-48MM) SMALL DIAMETER BORING RANGE TREE

Component	Selection Criteria	
1	Modular Shank	Machine tool taper and projection requirement
2	Small Diameter Finish Head	Telescoping bar and balance capability make is the right choice for boring small diameters
3	Boring Bar	Available as modular or solid for smaller diameters. Steel and Carbide with coolant through standard on all modular style.
3	Boring Bar	Solid design for smaller diameters
4	Modular Boring Noses	Allows the diameter to be extended with less expense in boring bars. All noses are balanced and coolant through
5	Inserts	Select based on geometry of insert holder, material of bore and radius
6	Reduction Bushing	Select to reduce the bore through receiver to the appropriate size boring bar