

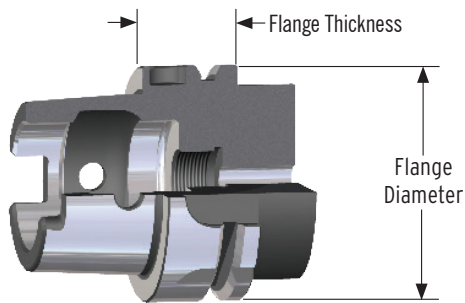
HSK Taper Specifications

CONNECTION IS EVERYTHING

Parlec provides tooling in a variety of taper styles and sizes. HSK is available in other forms and sizes upon request.

HSK TAPERS

Taper Type	Flange Diameter	Flange Thickness
HSK40A	40	35
HSK63A	63	42
HSK100A	100	45
HSK32E	32	35
HSK40E	40	35
HSK63F	63	42



HSK Form A Taper Specifications

- Meets DIN 69893-1 Form A specifications.
- Drive slots for moderate to heavy cutting forces.



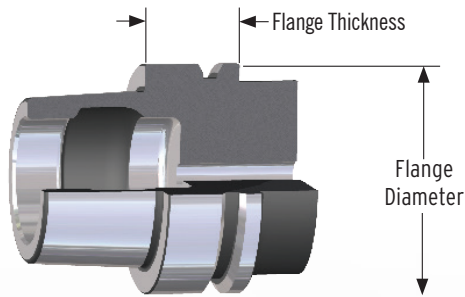
Tube Wrench



Coolant Tube

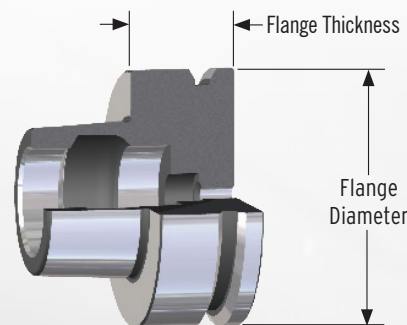
HSK COOLANT TUBES

Taper Type	Part No.	Tube Wrench No.
HSK40A	H40TUBE	H40W
HSK63A	H63TUBE	H63W
HSK100A	H100TUBE	H100W



HSK Form E Taper Specifications

- Meets DIN 69893-1 Form A specifications.
- No drive slots or orientation slots for high speed operation.



HSK Form F Taper Specifications

- Meets DIN 69893-1 Form A specifications.
- Larger face contact area for higher torsional load at higher speeds.