

Introducing Extreme Precision

# Micron Milling Chucks

PREMIERE POWER MILLING TECHNOLOGY



Engineered to the highest levels of precision to achieve maximum grip force and superior accuracy.



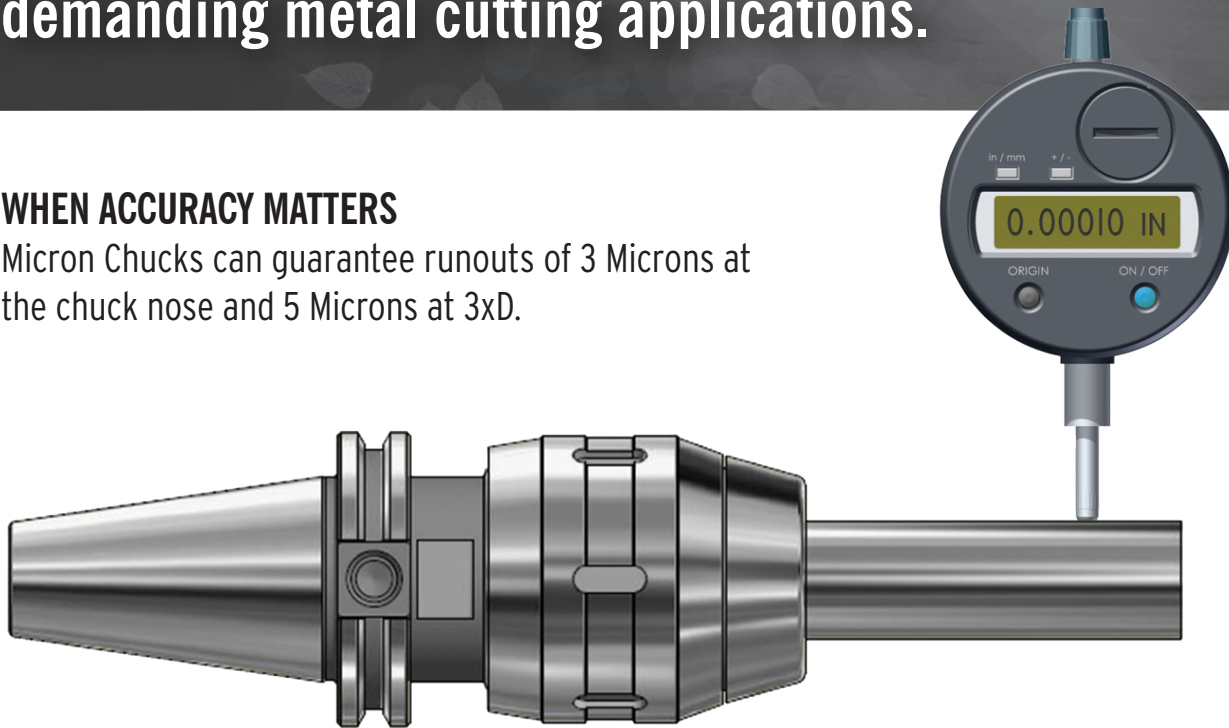
# Micron Power Milling Chucks

## 1 Extreme Precision Milling Solutions

Micron Power Milling Chucks are manufactured to the highest standards, and developed for the most demanding metal cutting applications.

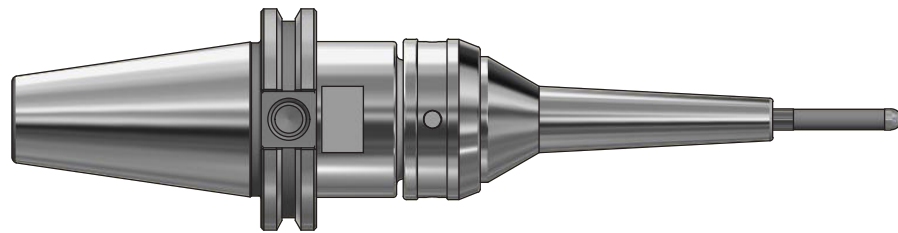
### WHEN ACCURACY MATTERS

Micron Chucks can guarantee runouts of 3 Microns at the chuck nose and 5 Microns at 3xD.



### “M” SERIES FOR EXTREME REACH AND PRECISION

The M-style mold chuck's narrow-nose design allows for deep, hard-to-reach machining; perfect for cutting deep die molds and any application where reach and clearance demand enhanced precision and performance.



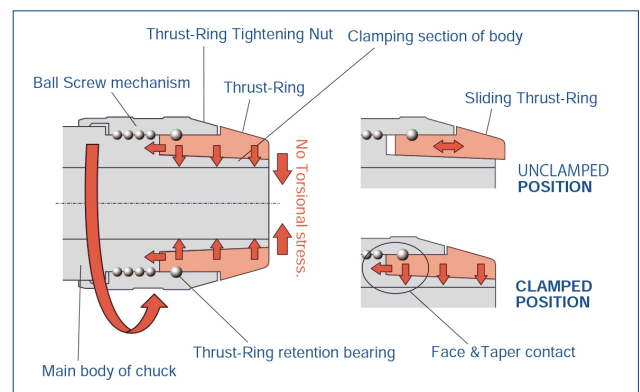
- Standard Micron Chucks balanced up to 10,000 @ G2.5
- M-style Mold Milling Chucks balanced up to 15,000 @ G2.5

## World-class engineering and innovative design provide UNMATCHED ACCURACY AND GRIP FORCE.

### THRUST-RING CLAMPING SYSTEM

The unique face & taper contact between the thrust-ring nut and chuck body is the key to the Micron Milling Chucks unparalleled concentricity and rigidity; delivering higher levels of accuracy and clamping power than other mechanical chucks.

- 4x the clamping force of standard ER collet chucks
- 2x the clamping force of hydraulic toolholders



### INNOVATIVE DESIGN

The thrust ring nut clamps tightly against the face & taper of the chuck body, virtually transforming the chuck into a single-piece toolholder.

### UNMATCHED CLAMPING POWER

The combination of the thrust ring design and internal ball-screw mechanism provides the high clamping power, distributed evenly over the entire shank of the cutting tool.

### IMPROVED PRODUCTIVITY & QUALITY

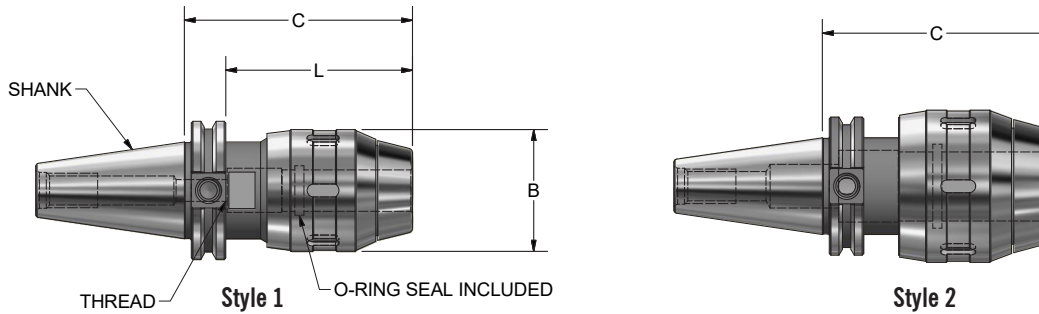
The unique features of Parlec Micron chucks are proven to help improve tool life, surface finish, dimensional accuracy and productivity for all types of heavy duty applications.

### MICRON MILLING CHUCKS SIMULFIT HOLDERS ARE OFFICIALLY LICENSED BIG-PLUS® HOLDERS.

*\*BIG-PLUS® is a registered trademark of Daishowa Seiki Kabushiki Kaisha and that Daishowa Seiki Kabushiki Kaisha does not endorse or sponsor the products of Parlec.*

# Micron Power Milling Chucks

## 3 Micron Milling Chucks



### CAT40

Size	Item Number	Description	C	L	B	Thread	Style	
3/4"	74304053	CV40-HPC075-105A	C40 Micron Mill Chuck 3/4" X 4.13"	4.13"	3.87"	2.20"	M10-1	1
	74304054	CV40-HPC075-105F	C40 AD/B Micron Mill Chuck 3/4" X 4.13"	4.13"	3.87"	2.20"	M10-1	1
	74304055	CV40-HPC075-135A	C40 Micron Mill Chuck 3/4" X 5.31"	5.31"	4.68"	2.20"	M10-1	1
1"	74304056	CV40-HPC100-105A	C40 Micron Mill Chuck 1" X 4.13"	4.13"	3.87"	2.44"	M18-1	1
	74304031	CV40-HPC100-135A	C40 Micron Mill Chuck 1" X 5.31"	5.31"	4.68"	2.44"	M18-1	1
1 1/4"	74304057	CV40-HPC125-105A	C40 Micron Mill Chuck 1 1/4" X 4.13"	4.13"	-	2.76"	M18-1	2

### CAT40 SIMULFIT (DUAL CONTACT)

Size	Item Number	Description	C	L	B	Thread	Style	
3/4"	74304097	BCV40-HPC075-105A	C40 Simulfit Micron Mill Chuck 3/4" X 4.13"	4.13"	3.87"	2.20"	M10-1	1
	74304157	BCV40-HPC075-135A	C40 Simulfit Micron Mill Chuck 3/4" X 5.31"	5.31"	4.68"	2.20"	M10-1	1
1"	74304098	BCV40-HPC100-105A	C40 Simulfit Micron Mill Chuck 1" X 4.13"	4.13"	3.87"	2.44"	M18-1	1
	74304156	BCV40-HPC100-135A	C40 Simulfit Micron Mill Chuck 1" X 5.31"	5.31"	4.68"	2.44"	M18-1	1
1 1/4"	74304099	BCV40-HPC125-105A	C40 Simulfit Micron Mill Chuck 1 1/4" X 4.13"	4.13"	-	2.76"	M18-1	2

### CAT50

Size	Item Number	Description	C	L	B	Thread	Style	
3/4"	74305058	CV50-HPC075-105A	C50 Micron Mill Chuck 3/4" X 4.13"	4.13"	2.75"	2.20"	M10-1	1
	74305059	CV50-HPC075-135A	C50 Micron Mill Chuck 3/4" X 5.31"	5.31"	3.93"	2.20"	M10-1	1
1"	74305060	CV50-HPC100-105A	C50 Micron Mill Chuck 1" X 4.13"	4.13"	2.75"	2.44"	M18-1	1
	74305061	CV50-HPC100-135A	C50 Micron Mill Chuck 1" X 5.31"	5.31"	3.93"	2.44"	M18-1	1
1 1/4"	74305062	CV50-HPC125-105A	C50 Micron Mill Chuck 1 1/4" X 4.13"	5.31"	3.87"	2.76"	M18-1	1
	74305063	CV50-HPC125-135A	C50 Micron Mill Chuck 1 1/4" X 5.31"	4.13"	4.68"	2.76"	M18-1	1

### CAT50 SIMULFIT (DUAL CONTACT)

Size	Item Number	Description	C	L	B	Thread	Style	
3/4"	74305100	BCV50-HPC075-105A	C50 Simulfit Micron Mill Chuck 3/4"X4.13"	4.13"	2.75"	2.20"	M10-1	1
1"	74205007	BCV50-HPC100-105A	C50 Simulfit Micron Mill Chuck 1"X4.13"	4.13"	2.75"	2.44"	M18-1	1
1 1/4"	74305102	BCV50-HPC125-105A	C50 Simulfit Micron Mill Chuck 1 1/4"X4.13"	5.31"	3.87"	2.76"	M18-1	1
	74205008	BCV50-HPC125-135A	C50 Simulfit Micron Mill Chuck 1 1/4"X5.31"	4.13"	4.68"	2.76"	M18-1	1

Micron milling chucks simulfit holders are officially licensed BIG-Plus® holders.

\*BIG-PLUS® is a registered trademark of Daishowa Seiki Kabushiki Kaisha and that Daishowa Seiki Kabushiki Kaisha does not endorse or sponsor the products of Parlec.

## BT30

Size	Item Number	Description	C	L	B	Thread	Style
3/4"	74203009	BT30-HPC075-100A	BT30 Micron Mill Chuck 3/4" X 3.94"	3.94"	-	2.20"	M10-1 2

## BT40

Size	Item Number	Description	C	L	B	Thread	Style
3/4"	74204064	BT40-HPC075-105A	BT40 Micron Mill Chuck 3/4" X 4.13"	4.13"	3.07"	2.20"	M10-1 1
	74204017	BT40-HPC075-120A	BT40 Micron Mill Chuck 3/4" X 4.72"	4.72"	3.66"	2.20"	M10-1 1
1"	74204018	BT40-HPC100-105A	BT40 Micron Mill Chuck 1" X 4.13"	4.13"	3.07"	2.44"	M18-1 1
	74204019	BT40-HPC100-135A	BT40 Micron Mill Chuck 1" X 5.31"	5.31"	4.25"	2.44"	M18-1 1
1 1/4"	74204020	BT40-HPC125-105A	BT40 Micron Mill Chuck 1 1/4" X 4.13"	5.31"	-	2.76"	M18-1 2
	74204021	BT40-HPC125-135A	BT40 Micron Mill Chuck 1 1/4" X 5.31"	4.13"	-	2.76"	M18-1 2

## BT40 SIMULFIT (DUAL CONTACT)

Size	Item Number	Description	C	L	B	Thread	Style
3/4"	74234103	BBT40-HPC075-105A	BT40 Simulfit Micron Mill Chuck 3/4" X 4.13"	4.13"	3.07"	2.20"	M10-1 1
1"	74234001	BBT40-HPC100-105A	BT40 Simulfit Micron Mill Chuck 1" X 4.13"	4.13"	2.75"	2.44"	M18-1 1
1 1/4"	74234105	BBT40-HPC125-105A	BT40 Simulfit Micron Mill Chuck 1 1/4" X 4.13"	4.13"	3.87"	2.76"	M18-1 2

## BT50 SIMULFIT (DUAL CONTACT)

Size	Item Number	Description	C	L	B	Thread	Style
1"	74235002	BBT50-HPC100-135A	BT50 Simulfit Micron Mill Chuck 1" X 5.31"	5.31"	3.81"	2.44"	M18-1 1
1 1/4"	74235003	BBT50-HPC125-105A	BT50 Simulfit Micron Mill Chuck 1 1/4" X 4.13"	4.13"	2.63"	2.76"	M18-1 1

## HSK63A

Size	Item Number	Description	C	L	B	Thread	Style
3/4"	74406049	HSKA63-HPC075-110A	HSK63A Micron Mill Chuck 3/4" X 4.33"	4.33"	3.30"	2.20"	M8 1
1"	74406051	HSKA63-HPC100-115A	HSK63A Micron Mill Chuck 1" X 4.52"	4.52"	3.50"	2.44"	M8 1
1 1/4"	74401052	HSKA63-HPC125-120A	HSK63A Micron Mill Chuck 1 1/4" X 4.52"	4.72"	-	2.76"	M8 2

## HSK100A

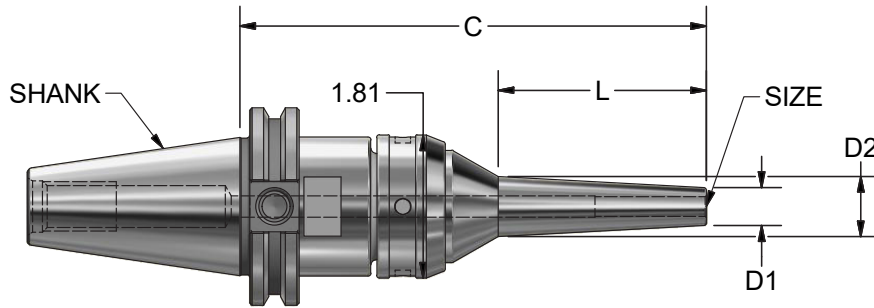
Size	Item Number	Description	C	L	B	Thread	Style
3/4"	74401043	HSKA100-HPC075-110A	HSK100A Micron Mill Chuck 3/4" X 4.33"	4.33"	3.18"	2.20"	M8 1
1"	74401044	HSKA100-HPC100-115A	HSK100A Micron Mill Chuck 1" X 4.52"	4.52"	3.38"	2.44"	M8 1
1 1/4"	74401045	HSKA100-HPC125-120A	HSK100A Micron Mill Chuck 1 1/4" X 4.52"	4.72"	-	2.76"	M8 2

Micron milling chucks simulfit holders are officially licensed BIG-Plus® holders.

\*BIG-PLUS® is a registered trademark of Daishowa Seiki Kabushiki Kaisha and that Daishowa Seiki Kabushiki Kaisha does not endorse or sponsor the products of Parlec.

# Micron Power Milling Chucks

## 5 Micron Mold Chucks



### CAT40 MOLD CHUCKS

Size	Item Number	Description	C	L	D1	D2	Socket Length	
1/8"	74304083	CV40-HPC0125M-150	C40 Micron Mold Chuck 1/8"X5.90"	5.90"	2.63"	.35"	.63"	.71"
	74304084	CV40-HPC0125M-200	C40 Micron Mold Chuck 1/8"X7.87"	7.87"	4.01"	.35"	.70"	.71"
3/16"	74304085	CV40-HPC0187M-150	C40 Micron Mold Chuck 3/16"X5.90"	5.90"	2.63"	.43"	.72"	.90"
	74304022	CV40-HPC0187M-200	C40 Micron Mold Chuck 3/16"X7.87"	7.87"	4.01"	.43"	.86"	.90"
1/4"	74304087	CV40-HPC0250M-150	C40 Micron Mold Chuck 1/4"X5.90"	5.90"	2.63"	.48"	.76"	1.42"
	74304023	CV40-HPC0250M-200	C40 Micron Mold Chuck 1/4"X7.87"	7.87"	4.01"	.48"	.91"	1.42"
5/16"	74304089	CV40-HPC0312M-150	C40 Micron Mold Chuck 5/16"X5.90"	5.90"	2.63"	.55"	.83"	1.55"
	74304090	CV40-HPC0312M-200	C40 Micron Mold Chuck 5/16"X7.87"	7.87"	4.01"	.55"	.97"	1.55"
	74304024	CV40-HPC0312M-200-T	C40 Micron Mold Chuck 5/16"X7.87" BST	7.87"	4.01"	.55"	.97"	1.55"
3/8"	74304091	CV40-HPC0375M-150	C40 Micron Mold Chuck 3/8"X5.90"	5.90"	2.63"	.61"	.89"	1.57"
	74304026	CV40-HPC0375M-200	C40 Micron Mold Chuck 3/8"X7.87"	7.87"	4.01"	.61"	1.03"	1.57"
7/16"	74304027	CV40-HPC0437M-150	C40 Micron Mold Chuck 7/16"X5.90"	5.90"	2.63"	.67"	.95"	1.77"
	74304028	CV40-HPC0437M-200	C40 Micron Mold Chuck 7/16"X7.87"	7.87"	4.01"	.67"	1.09"	1.77"
1/2"	74304095	CV40-HPC0500M-150	C40 Micron Mold Chuck 1/2"X5.90"	5.90"	2.63"	.74"	1.01"	1.77"
	74304096	CV40-HPC0500M-200	C40 Micron Mold Chuck 1/2"X7.87"	7.87"	4.01"	.74"	1.16"	1.77"
M3	74304067	CV40-HPC03M-150	C40 Micron Mold Chuck 3mmX5.90"	5.90"	2.63"	.43"	.72"	.90"
M4	74304069	CV40-HPC04M-150	C40 Micron Mold Chuck 4mmX5.90"	5.90"	2.63"	.38"	.56"	.90"
M6	74304073	CV40-HPC06M-150	C40 Micron Mold Chuck 6mmX5.90"	5.90"	2.63"	.47"	.75"	1.42"
M8	74304077	CV40-HPC08M-150	C40 Micron Mold Chuck 8mmX5.90"	5.90"	2.63"	.55"	.83"	1.55"
M10	74304079	CV40-HPC10M-150	C40 Micron Mold Chuck 10mmX5.90"	5.90"	2.63"	.63"	.92"	1.57"
M12	74304081	CV40-HPC12M-150	C40 Micron Mold Chuck 12mmX5.90"	5.90"	2.63"	.71"	1.00"	1.77"

### CAT40 MOLD CHUCKS (DUAL CONTACT)

Size	Item Number	Description	C	L	D1	D2	Socket Length	
3/16"	74204004	BCV40-HPC0187M-150	C40 Micron Mold Chuck 3/16"X5.90"	5.90"	2.63"	.43"	.72"	.90"
1/4"	74204005	BCV40-HPC0250M-150	C40 Micron Mold Chuck 1/4"X5.90"	5.90"	2.63"	.48"	.76"	1.42"
3/8"	74204006	BCV40-HPC0375M-150-T	C40 Micron Mold Chuck 3/8"X5.90"	5.90"	2.63"	.61"	.89"	1.57"

## CAT50 MOLD CHUCKS

Size	Item Number	Description	C	L	D1	D2	Socket Length	
1/8"	74305033	CV50-HPC0125M-150	C50 Micron Mold Chuck 1/8"X5.90"	5.90"	2.63"	.35"	.63"	.71"
3/16"	74305034	CV50-HPC0187M-150	C50 Micron Mold Chuck 3/16"X5.90"	5.90"	2.63"	.43"	.72"	.90"
	74305035	CV50-HPC0187M-200	C50 Micron Mold Chuck 3/16"X7.87"	7.87"	4.01"	.43"	.86"	.90"
1/4"	74305159	CV50-HPC0250M-150	C50 Micron Mold Chuck 1/4"X5.90"	5.90"	2.63"	.48"	.76"	1.42"
5/16"	74305036	CV50-HPC0312M-150	C50 Micron Mold Chuck 5/16"X5.90"	5.90"	2.63"	.55"	.83"	1.55"
3/8"	74305037	CV50-HPC0375M-200	C50 Micron Mold Chuck 3/8"X7.87"	7.87"	4.01"	.61"	1.03"	1.57"
	74305136	CV50-HPC0500M-200-T	C50 Micron Mold Chuck 1/2"X7.87"	7.87"	4.01"	.74"	1.01"	1.77"
M6	74305038	CV50-HPC06M-150	C50 Micron Mold Chuck 6mmX5.90"	5.90"	2.63"	.47"	.75"	1.42"
	74305039	CV50-HPC06M-200	C50 Micron Mold Chuck 6mmX7.87"	7.87"	4.01"	.47"	.89"	1.42"

## BT40 MOLD CHUCKS

Size	Item Number	Description	C	L	D1	D2	Socket Length	
1/8"	74204135	BT40-HPC0125M-135	BT40 Micron Mold Chuck 1/8"X5.31"	5.31"	2.63"	.35"	.63"	.71"
	74204010	BT40-HPC0125M-185	BT40 Micron Mold Chuck 1/8"X7.28"	7.28"	4.01"	.35"	.70"	.71"
3/16"	74204011	BT40-HPC0187M-185	BT40 Micron Mold Chuck 3/16"X7.28"	7.28"	4.01"	.43"	.86"	.90"
1/4"	74204012	BT40-HPC0250M-185	BT40 Micron Mold Chuck 1/4"X7.28"	7.28"	4.01"	.48"	.91"	1.42"
5/16"	74204013	BT40-HPC0312M-135 (T)	BT40 Micron Mold Chuck 5/16"X5.31"	5.31"	2.63"	.55"	.83"	1.55"
	74204014	BT40-HPC0312M-185 (T)	BT40 Micron Mold Chuck 5/16"X7.28"	7.28"	4.01"	.55"	.97"	1.55"
3/8"	74204015	BT40-HPC0375M-185	BT40 Micron Mold Chuck 3/8"X 7.28"	7.28"	4.01"	.61"	1.03"	1.57"
1/2"	74204016	BT40-HPC0500M-185	BT40 Micron Mold Chuck 1/2"X 7.28"	7.28"	4.01"	.74"	1.01"	1.77"

## HSK63 MOLD CHUCKS

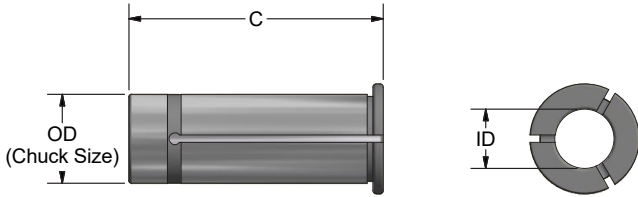
Size	Item Number	Description	C	L	D1	D2	Socket Length	
1/8"	74406114	HSKA63-HPC0125M-150	HSKA63 Micron Mold Chuck 1/8"X5.90"	5.90"	2.63"	.35"	.63"	.71"
3/16"	74406113	HSKA63-HPC0187M-150	HSKA63 Micron Mold Chuck 3/16"X5.90"	5.90"	2.63"	.43"	.72"	.90"
	74406047	HSKA63-HPC0187M-200	HSKA63 Micron Mold Chuck 3/16"X7.87"	7.87"	4.01"	.43"	.86"	.90"
1/4"	74406112	HSKA63-HPC0250M-150	HSKA63 Micron Mold Chuck 1/4"X5.90"	5.90"	2.63"	.48"	.76"	1.42"
	74406101	HSKA63-HPC0250M-200	HSKA63 Micron Mold Chuck 1/4"X7.87"	7.87"	4.01"	.48"	.91"	1.42"
3/8"	74406111	HSKA63-HPC0375M-150	HSKA63 Micron Mold Chuck 3/8"X5.90"	5.90"	2.63"	.61"	.89"	1.57"
1/2"	74406109	HSKA63-HPC0500M-150	HSKA63 Micron Mold Chuck 1/2"X5.90"	5.90"	2.63"	.74"	1.01"	1.77"
	74406048	HSKA63-HPC0500M-200-T	HSKA63 Micron Mold Chuck 1/2"X7.87"	7.87"	4.01"	.74"	1.01"	1.77"

## HSK100 MOLD CHUCKS

Size	Item Number	Description	C	L	D1	D2	Socket Length	
1/8"	74401137	HSKA100-HPC0125M-155	HSKA100 Micron Mold Chuck 1/8"X6.10"	6.10"	2.63"	.35"	.63"	.71"
1/4"	74401040	HSKA100-HPC0250M-155	HSK100A Micron Mold Chuck 1/4"X6.10"	6.10"	2.63"	.48"	.76"	1.42"
	74401041	HSKA100-HPC0250M-205	HSK100A Micron Mold Chuck 1/4"X8.07"	8.07"	4.01"	.48"	.91"	1.42"
3/8"	74401160	HSKA100-HPC0375M-155	HSKA100 Micron Mold Chuck 3/8"X5.90"	5.90"	2.63"	.61"	.89"	1.57"
1/2"	74401042	HSKA100-HPC0500M-155	HSKA100 Micron Mold Chuck 1/2"X5.90"	6.10"	2.63"	.74"	1.01"	1.77"

# Straight Collets

## 7 Extreme Precision Milling Solutions



OD	C
3/4"	2.14"
1"	2.36"
1 1/4"	2.75"

### 3/4" O.D.

ITEM NUMBER	REDUCTION SIZE
74875001	1/8"
74875002	3/16"
74875003	1/4"
74875004	5/16"
74875005	3/8"
74875006	7/16"
74875007	1/2"
74875008	9/16"
74875010	5/8"
74875009	6MM
74875011	8MM
74875012	10MM
74875013	12MM
74875014	14MM
74875015	16MM

### 3/4" O.D. (COOLANT)

ITEM NUMBER	REDUCTION SIZE
74875016	1/4"
74875017	5/16"
74875018	3/8"
74875019	7/16"
74875020	1/2"
74875021	9/16"
74875023	5/8"
74875022	6MM
74875024	8MM
74875025	10MM
74875026	12MM
74875027	14MM
74875028	16MM

### 1" O.D.

ITEM NUMBER	REDUCTION SIZE
74810001	1/4"
74810002	5/16"
74810003	3/8"
74810004	7/16"
74810005	1/2"
74810006	9/16"
74810008	5/8"
74810009	3/4"
74810007	6MM
74810010	8MM
74810011	10MM
74810012	12MM
74810013	14MM
74810014	16MM
74810015	18MM
74810016	20MM

### 1" O.D. (COOLANT)

ITEM NUMBER	REDUCTION SIZE
74810017	1/4"
74810018	5/16"
74810019	3/8"
74810020	7/16"
74810021	1/2"
74810022	9/16"
74810024	5/8"
74810025	3/4"
74810023	6MM
74810026	8MM
74810027	10MM
74810028	12MM
74810029	14MM
74810030	16MM
74810031	18MM
74810032	20MM

### 1 1/4" O.D.

ITEM NUMBER	REDUCTION SIZE
74812001	1/4"
74812002	5/16"
74812003	3/8"
74812004	7/16"
74812005	1/2"
74812006	9/16"
74812008	5/8"
74812009	3/4"
74812011	7/8"
74812013	1"
74812007	6MM
74812010	8MM
74812012	10MM
74812014	12MM
74812015	14MM
74812016	16MM
74812017	18MM
74812018	20MM
74812019	25MM

### 1 1/4" O.D. (COOLANT)

ITEM NUMBER	REDUCTION SIZE
74812020	1/4"
74812021	5/16"
74812022	3/8"
74812023	7/16"
74812024	1/2"
74812025	9/16"
74812026	5/8"
74812027	3/4"
74812028	7/8"
74812030	1"
74812029	10MM
74812031	12MM
74812032	14MM
74812033	16MM
74812034	18MM
74812035	20MM
74812036	25MM



## WRENCHES

ITEM NUMBER	DESCRIPTION
35851	All Micron Mold Chucks
35852	3/4" Micron Milling Chucks
35853	1" Micron Milling Chucks
35854	1 1/4" Micron Milling Chucks