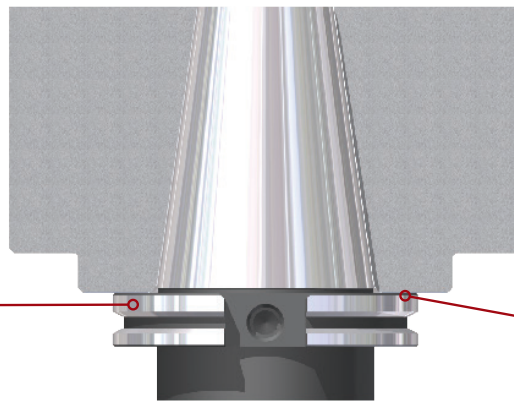


CONNECTION IS EVERYTHING SIMULFIT[®] SYSTEM—DUAL CONTACT TAPER

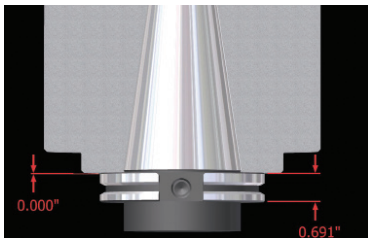
- > Traditional steep taper connection is taper only.
- > Simultaneous contact of taper and face will improve rigidity of the connection up to 28%.
- > Simultaneous fit is not exclusive to HSK, but is suitable for steep taper.

+ 28%

Larger contact diameter increases resistance to bending by up to 28%

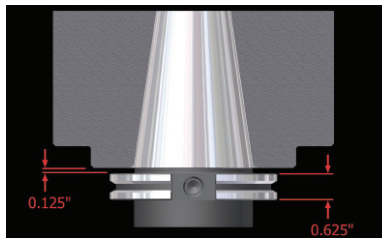


Face contact gives positive Z position and prevents shift during operation



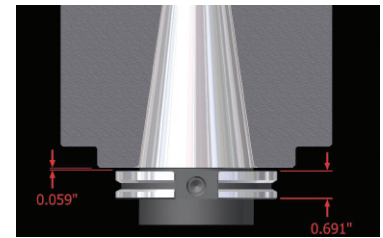
Spindle Compatible to BIG-PLUS[®]

- .. Steep taper holder designed to fit a BIG-PLUS[®] compatible spindle
- .. Result is taper and face simultaneous contact only



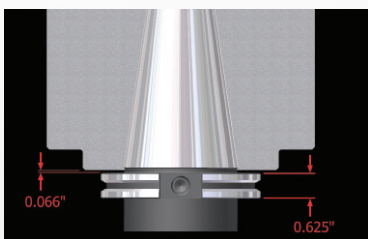
Standard Spindle

- .. Standard Cat (ANSI B5.50) holder
- .. Result is traditional taper only contact



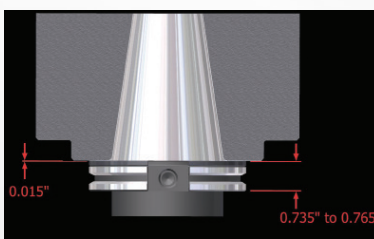
BIG-PLUS[®] Spindle with Standard Tooling

- .. Steep taper holder designed to fit a BIG-PLUS[®] compatible spindle
- .. Result is traditional taper only contact



Spindle Compatible to BIG-PLUS[®]

- .. Standard Cat (ANSI B5.50) holder
- .. Result is traditional taper only contact



Standard Spindle

- .. Modified Cat (ANSI B5.50) holder fitted with a custom spacer for use in non-qualified spindle
- .. Result is taper and face simultaneous contact only

**BIG-PLUS[®] is a registered trademark of Daishowa Seiki Kabushiki Kaisha and that Daishowa Seiki Kabushiki Kaisha does not endorse or sponsor the products of Parlec.*