

SAVE!

SUPERCHARGE YOUR ER COLLET SYSTEM!



3 5MICRON ER COLLETS



3 POWER COLLET NUTS



ADJUSTABLE WRENCH & COLLET KEY

Offer Expires: 6/30/2020

See back of flyer for collet selection guide.

CHOOSE BETWEEN ER16 OR ER32 BUNDLES.

EACH PACKAGE INCLUDES:

- 3 - 5Micron Collets
- 3 - Power Collet Nuts
- 1 - Adjustable Wrench & Collet Key

5Micron ER16 Bundle

Order NO: 5UMER16-UPGRADE

\$700.00

List Price: \$813.00 – You Save: \$113.00

* Select any 3 5UMER16 Collets

5Micron ER32 Bundle

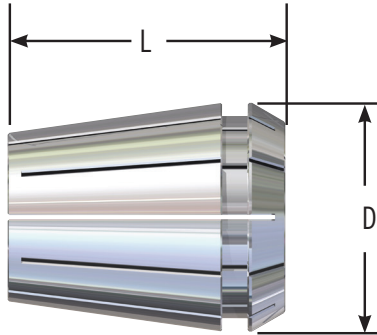
Order NO: 5UMER32-UPGRADE

\$750.00

List Price: \$922.00 – You Save: \$172.00

* Select any 3 5UMER32 Collets





AA GRADE 5 MICRON ER PRECISION COLLETS - INCH

ER 16 INCH

Part Number	Size	Range
5UMER16-0062	1/16"	.0428"-.0625"
5UMER16-0093	3/32"	.0540"-.0937"
5UMER16-0125	1/8"	.0860"-.1250"
5UMER16-0157	5/32"	.1170"-.1560"
5UMER16-0187	3/16"	.1480"-.1870"
5UMER16-0218	7/32"	.1790"-.2180"
5UMER16-0250	1/4"	.2110"-.2500"
5UMER16-0281	9/32"	.2420"-.2810"
5UMER16-0312	5/16"	.2730"-.3120"
5UMER16-0343	11/32"	.3040"-.3430"
5UMER16-0375	3/8"	.3360"-.3750"
5UMER16-0406	13/32"	.3666"-.4062"

ER 32 INCH

5UMER32-0093	3/32"	.0540"-.0937"
5UMER32-0125	1/8"	.0860"-.1250"
5UMER32-0156	5/32"	.1170"-.1560"
5UMER32-0187	3/16"	.1480"-.1870"
5UMER32-0218	7/32"	.1790"-.2180"
5UMER32-0250	1/4"	.2110"-.2500"
5UMER32-0281	9/32"	.2420"-.2810"
5UMER32-0312	5/16"	.2730"-.3120"
5UMER32-0343	11/32"	.3040"-.3430"
5UMER32-0375	3/8"	.3360"-.3750"
5UMER32-0406	13/32"	.3666"-.4062"
5UMER32-0437	7/16"	.3980"-.4370"
5UMER32-0468	15/32"	.4290"-.4680"
5UMER32-0500	1/2"	.4610"-.5000"
5UMER32-0531	17/32"	.4920"-.5310"
5UMER32-0562	9/16"	.5230"-.5620"
5UMER32-0593	19/32"	.5544"-.5937"
5UMER32-0625	5/8"	.5860"-.6250"
5UMER32-0656	21/32"	.6170"-.6560"
5UMER32-0687	11/16"	.6480"-.6870"
5UMER32-0718	23/32"	.6794"-.7187"
5UMER32-0750	3/4"	.7110"-.7500"
5UMER32-0781	25/32"	.7419"-.7812"

ER COLLET SIZE	ER16	ER32
LENGTH (L)	1.082	1.574
DIAMETER (D)	0.669	1.300

AA GRADE 5 MICRON ER PRECISION COLLETS - METRIC

ER 16 METRIC

Part Number	Size	Range
5UMER16-0039	1 mm	.5-1 mm
5UMER16-0078	2 mm	1-2 mm
5UMER16-0098	2.5 mm	1.5-2.5 mm
5UMER16-0118	3 mm	2-3 mm
5UMER16-0137	3.5 mm	2.5-3.5 mm
5UMER16-0157	4 mm	3-4 mm
5UMER16-0177	4.5 mm	4-4.5 mm
5UMER16-0196	5 mm	4-5 mm
5UMER16-0216	5.5 mm	4.5-5.5 mm
5UMER16-0236	6 mm	5-6 mm
5UMER16-0255	6.5 mm	5.5-6.5 mm
5UMER16-0275	7 mm	6-7 mm
5UMER16-0295	7.5 mm	7-7.5 mm
5UMER16-0315	8 mm	7-8 mm
5UMER16-0334	8.5 mm	8-8.5 mm
5UMER16-0354	9 mm	8-9 mm
5UMER16-0393	10 mm	9-10 mm

ER 32 METRIC

Part Number	Size	Range
5UMER32-0118	3 mm	2-3 mm
5UMER32-0157	4 mm	3-4 mm
5UMER32-0196	5 mm	4-5 mm
5UMER32-0236	6 mm	5-6 mm
5UMER32-0275	7 mm	6-7 mm
5UMER32-0315	8 mm	7-8 mm
5UMER32-0354	9 mm	8-9 mm
5UMER32-0393	10 mm	9-10 mm
5UMER32-0433	11 mm	10-11 mm
5UMER32-0472	12 mm	11-12 mm
5UMER32-0511	13 mm	12-13 mm
5UMER32-0551	14 mm	13-14 mm
5UMER32-0590	15 mm	14-15 mm
5UMER32-0630	16 mm	15-16 mm
5UMER32-0669	17 mm	16-17 mm
5UMER32-0708	18 mm	17-18 mm
5UMER32-0748	19 mm	18-19 mm
5UMER32-0787	20 mm	19-20 mm